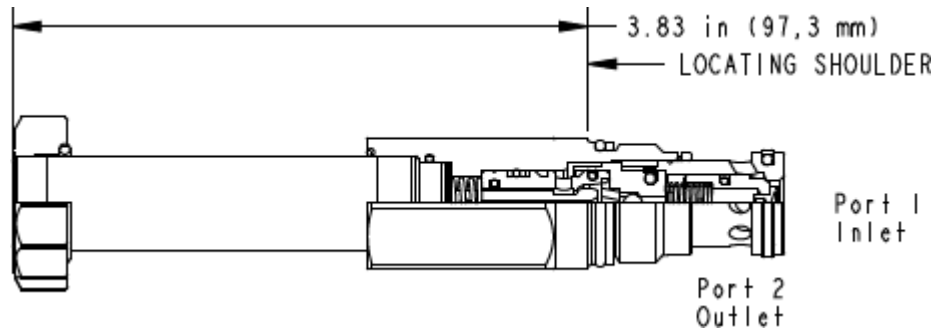


X-Control, C-Poppet



2 2

740 747

TECHNICAL DATA NOTE: DATA MAY VARY BY CONFIGURATION. SEE CONFIGURATION SECTION.

	T-13A
	1
	60 L/min.
	350 bar
110 SUS (24 cSt)	0,7 cc/min.@350 bar
	3,5 bar
	30 ms
	15,000 max. cycles/hr
	16 mm
	22,2 mm
	41 - 47 Nm
	0.28 kg.
Seal kit - Cartridge	Buna: 990-310-007
Seal kit - Cartridge	EPDM: 990-310-014
Seal kit - Cartridge	Viton: 990-310-006
Seal kit - Cartridge	Buna: 990-310-007
Seal kit - Cartridge	EPDM: 990-310-014
Seal kit - Cartridge	Viton: 990-310-006

OPTION SELECTION EXAMPLE: DFCIXCN

(X)	(C)	(N)	
X	C	N	
D /	H	E EPDM	
L		V	
M			
T ()			

TECHNICAL FEATURES

- 5000 psi (350 bar)
- EPDM
- - 1000
- IP69K
- FLeX
- 10 / @5000 psi 0,7 cc/min @ 350 bar
- D L
- /
- Sun /

PERFORMANCE CURVES

