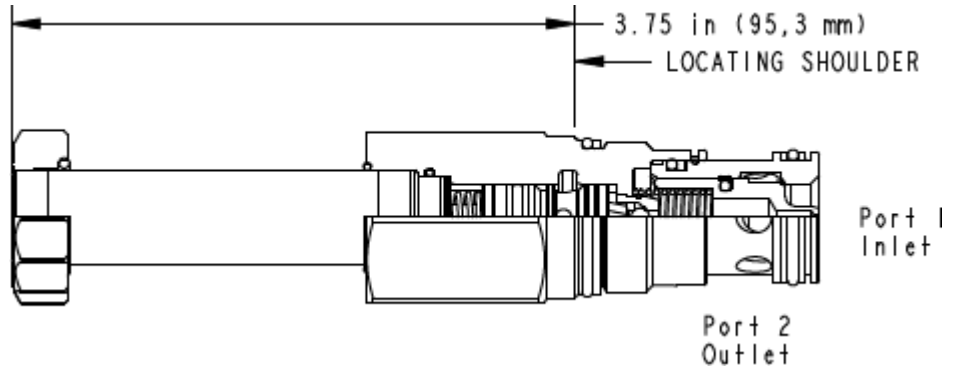


X-Control, C-Poppet



2 2

740 747

TECHNICAL DATA NOTE: DATA MAY VARY BY CONFIGURATION. SEE CONFIGURATION SECTION.

	350 bar
110 SUS (24 cSt)	0,7 cc/min.@350 bar
	3,5 bar
	30 ms
	15,000 max. cycles/hr
Seal kit - Cartridge	Buna: 990-203-007
Seal kit - Cartridge	EPDM: 990-203-014
Seal kit - Cartridge	Viton: 990-203-006
Seal kit - Cartridge	Buna: 990-203-007
Seal kit - Cartridge	EPDM: 990-203-014
Seal kit - Cartridge	Viton: 990-203-006

- Sun
- 2.00 inches (50,8 mm)

CONFIGURATION OPTIONS

Model Code Example: DFDIXCN

(X)

(C)

(N)

X	C	N	
D /	H	E EPDM	
L		V	
M			
T ()			