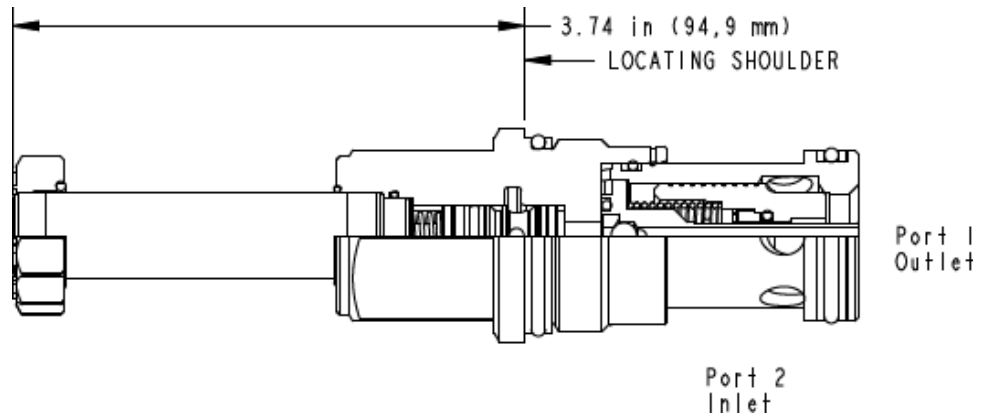


X-Control, C-Poppet



**TECHNICAL DATA** NOTE: DATA MAY VARY BY CONFIGURATION. SEE CONFIGURATION SECTION.

cavidad	T-16A
Series	3
Capacity	240 L/min.
Maximum Operating Pressure	350 bar
Check Cracking Pressure	3,5 bar
Maximum Valve Leakage at 110 SUS (24 cSt)	0,7 cc/min.@350 bar
Response Time - Typical	30 ms
Switching Frequency	15,000 max. cycles/hr
Solenoid Tube Diameter	16 mm
Valve Hex Size	31,8 mm
Valve Installation Torque	203 - 217 Nm
Model Weight	0.65 kg.
Seal kit - Cartridge	Buna: 990-016-007
Seal kit - Cartridge	EPDM: 990-016-014
Seal kit - Cartridge	Viton: 990-016-006

## OPTION SELECTION EXAMPLE: DFEJXCN

CONTROL	(X)	POPPET CONFIGURATION	(C)	SEAL MATERIAL	(N)	BOBINA	
<b>X</b>	No Manual Override	<b>C</b>	normalmente cerrado	<b>N</b>	Buna-N	No coil	
<b>D</b>	Twist/Lock (Dual) Manual Override	<b>H</b>	normalmente abierto	<b>E</b>	EPDM	<b>212</b>	DIN 43650-Form A, 12 VDC
<b>L</b>	Twist/Lock (Detent) Manual Override			<b>V</b>	Viton	<b>224</b>	DIN 43650-Form A, 24 VDC
<b>M</b>	Manual Override (Standard)					<b>912</b>	Deutsch DT04-2P, 12 VDC
<b>T</b>	Twist (Momentary) Manual Override					<b>924</b>	Deutsch DT04-2P, 24 VDC

## PERFORMANCE CURVES

