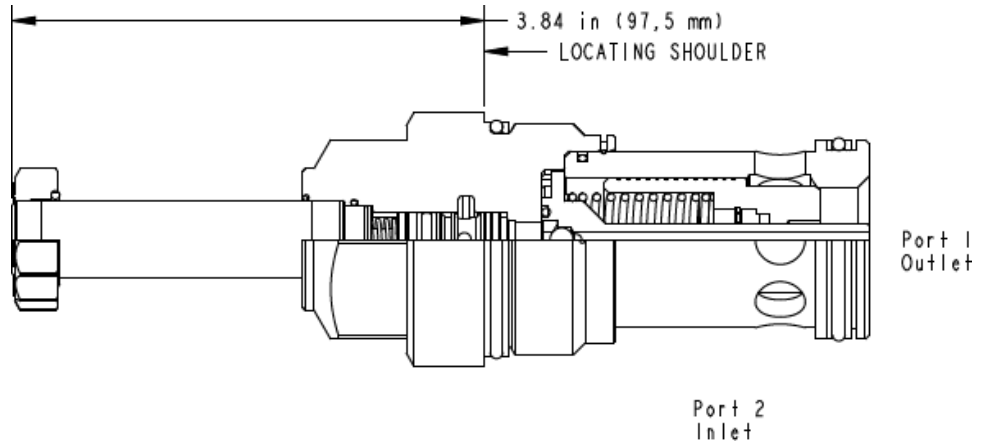


X-Control, C-Poppet



TECHNICAL DATA NOTE: DATA MAY VARY BY CONFIGURATION. SEE CONFIGURATION SECTION.

| | |
|----------------------|--------------------|
| Seal kit - Cartridge | Buna: 990-018-007 |
| Seal kit - Cartridge | EPDM: 990-018-014 |
| Seal kit - Cartridge | Viton: 990-018-006 |

CONFIGURATION OPTIONS

Model Code Example: DFFJXCN

| CONTROL | (X) | POPPET CONFIGURATION | (C) | SEAL MATERIAL | (N) | BOBINA |
|--|-----|------------------------------|-----|-----------------|-----|---------|
| X No Manual Override | | C normalmente cerrado | | N Buna-N | | No coil |
| D Twist/Lock (Dual) Manual Override | | H normalmente abierto | | E EPDM | | |
| L Twist/Lock (Detent) Manual Override | | | | V Viton | | |
| M activador manual | | | | | | |
| T Twist (Momentary) Manual Override | | | | | | |