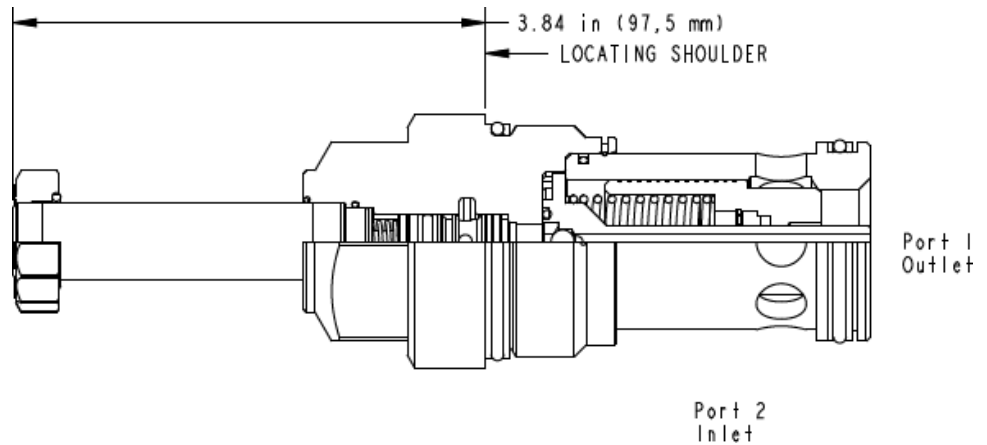


X-Control, C-Poppet



**TECHNICAL DATA** NOTE: DATA MAY VARY BY CONFIGURATION. SEE CONFIGURATION SECTION.

cavidad	T-18A
Series	4
Capacity	480 L/min.
Maximum Operating Pressure	350 bar
Check Cracking Pressure	3,5 bar
Maximum Valve Leakage at 110 SUS (24 cSt)	0,7 cc/min.@350 bar
Response Time - Typical	30 ms
Switching Frequency	15,000 max. cycles/hr
Solenoid Tube Diameter	16 mm
Valve Hex Size	41,3 mm
Valve Installation Torque	474 - 508 Nm
Model Weight	1.25 kg.
Seal kit - Cartridge	Buna: 990-018-007
Seal kit - Cartridge	EPDM: 990-018-014
Seal kit - Cartridge	Viton: 990-018-006

## OPTION SELECTION EXAMPLE: DFFJXCN

CONTROL	(X) POPPET CONFIGURATION	(C) SEAL MATERIAL	(N) BOBINA
<b>X</b> No Manual Override	<b>C</b> normalmente cerrado	<b>N</b> Buna-N	No coil
<b>D</b> Twist/Lock (Dual) Manual Override	<b>H</b> normalmente abierto	<b>E</b> EPDM	
<b>L</b> Twist/Lock (Detent) Manual Override		<b>V</b> Viton	
<b>M</b> activador manual			
<b>T</b> Twist (Momentary) Manual Override			

### PERFORMANCE CURVES

