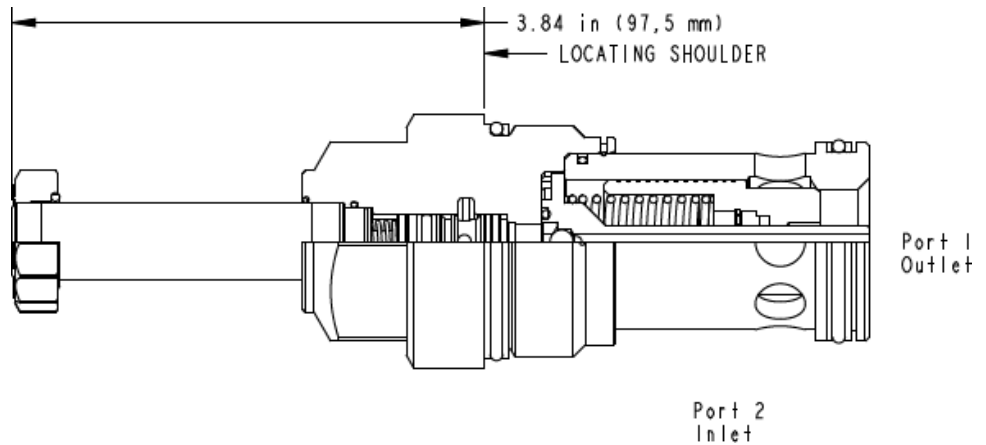


X-Control, C-Poppet



2 2

740 747

**TECHNICAL DATA** NOTE: DATA MAY VARY BY CONFIGURATION. SEE CONFIGURATION SECTION.

	T-18A
	4
	480 L/min.
	350 bar
110 SUS (24 cSt)	0,7 cc/min.@350 bar
	3,5 bar
	30 ms
	15,000 max. cycles/hr
	16 mm
	41,3 mm
	474 - 508 Nm
	1.25 kg.
Seal kit - Cartridge	Buna: 990-018-007
Seal kit - Cartridge	EPDM: 990-018-014
Seal kit - Cartridge	Viton: 990-018-006
Seal kit - Cartridge	Buna: 990-018-007
Seal kit - Cartridge	EPDM: 990-018-014
Seal kit - Cartridge	Viton: 990-018-006

- : • Sun
- 2.00 inches (50,8 mm)

# OPTION SELECTION EXAMPLE: DFFJXCN

(X)	(C)	(N)	
<b>X</b>	<b>C</b>	<b>N</b>	
D /	H	E EPDM	
L		V	
M			
T ( )			

## TECHNICAL FEATURES

- 5000 psi (350 bar)
- EPDM
- - 1000
- IP69K
- “ ”
- 10 / @5000 psi 0,7 cc/min @ 350 bar
- D L
- /
- Sun /

## PERFORMANCE CURVES

