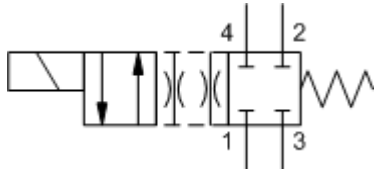
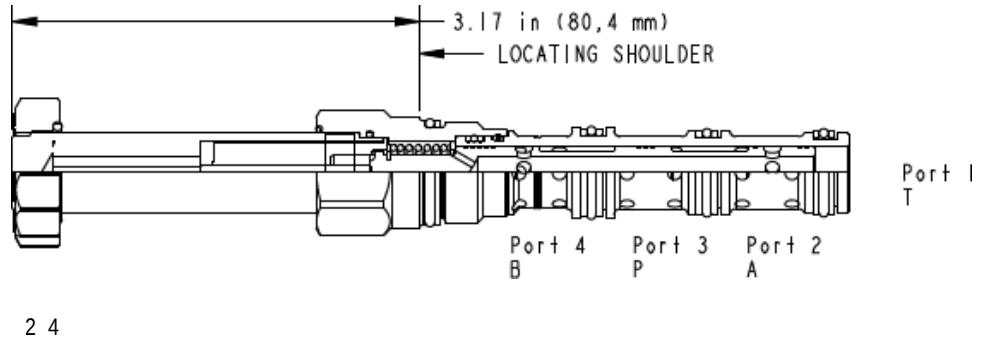


X-Control, N-Spool



X-Control, C-Spool



TECHNICAL DATA NOTE: DATA MAY VARY BY CONFIGURATION. SEE CONFIGURATION SECTION.

| | |
|----------------------|-----------------------|
| | 350 bar |
| 110 SUS (24 cSt) | 160 cc/min.@210 bar |
| | 2,5 mm |
| | 33 N/100 bar @ Port 1 |
| | 50 ms |
| | 15,000 max. cycles/hr |
| | 4,8 - 5,3 Nm |
| Seal kit - Cartridge | Buna: 990-431-007 |
| Seal kit - Cartridge | Viton: 990-431-006 |
| Seal kit - Cartridge | Buna: 990-431-007 |
| Seal kit - Cartridge | Viton: 990-431-006 |

CONFIGURATION OPTIONS

Model Code Example: DNDFXNN

| | | | |
|----------|----------|----------|--|
| (X) | (N) | (N) | |
| X | N | N | |
| D / | C | V | |
| L | E | | |
| M | T P-T | | |
| T () | | | |