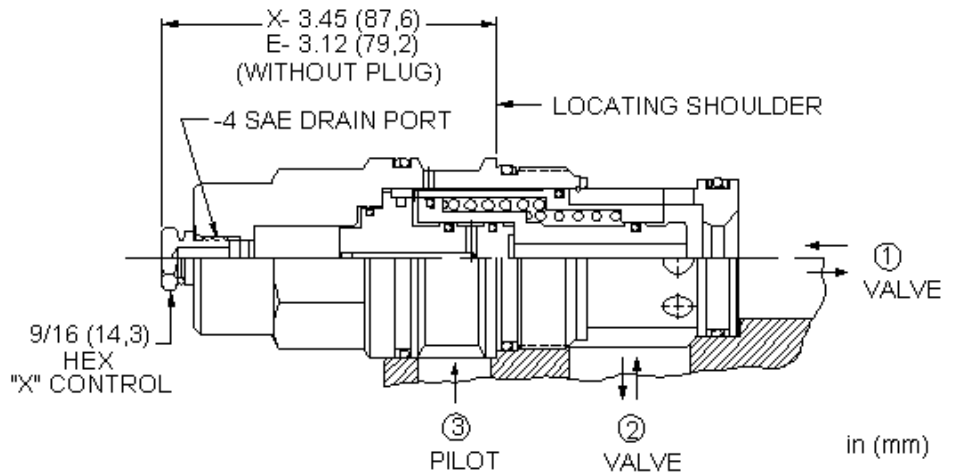


CONFIGURATION

E 4-SAE



3

TECHNICAL DATA

	350 bar
	20 bar
110 SUS (24 cSt)	0,7 cc/min.@350 bar
Seal kit - Cartridge	Buna: 990-019-007
Seal kit - Cartridge	Polyurethane: 990-019-002
Seal kit - Cartridge	Viton: 990-019-006

CONFIGURATION OPTIONS

Model Code Example: DOJCEXHN

(E)

(H)

(N)

E 4-SAE

H 300 psi (20 bar)

N

X

E EPDM

V