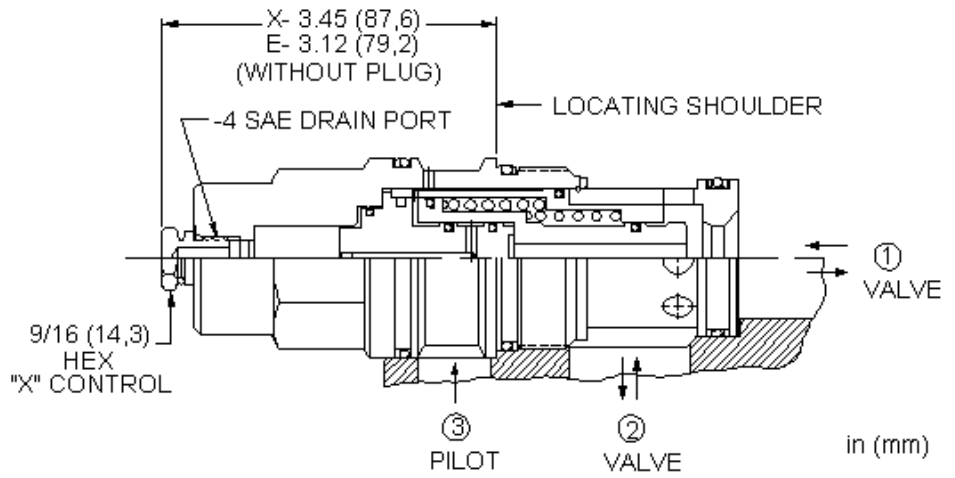


**CONFIGURATION**

E 4-SAE

\_\_\_\_\_

\_\_\_\_\_



3

**TECHNICAL DATA** NOTE: DATA MAY VARY BY CONFIGURATION. SEE CONFIGURATION SECTION.

	T-19A
	4
	480 L/min.
	350 bar
	20 bar
	2,8 cc
110 SUS (24 cSt)	0,7 cc/min.@350 bar
	41,3 mm
	474 - 508 Nm
Seal kit - Cartridge	Buna: 990-019-007
Seal kit - Cartridge	Polyurethane: 990-019-002
Seal kit - Cartridge	Viton: 990-019-006

# OPTION SELECTION EXAMPLE: DOJCEXH

(E)

(H)

(N)

**E** 4-SAE

**H** 300 psi (20 bar)

**N**

X

E EPDM

V

## TECHNICAL FEATURES

- 1 2 5000 psi (350 bar) 300 psi (20 bar)
- 1 2 5000psi 10 / 350bar 0,7 cc/min
- 145 psi 10 bar
- 3
- X E
- X 3 4
- 1 2
- 1 2 3
- 5000 psi (350 bar)
- Sun /

## PERFORMANCE CURVES

