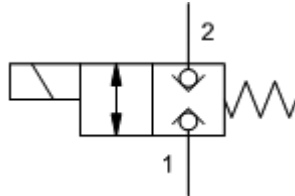


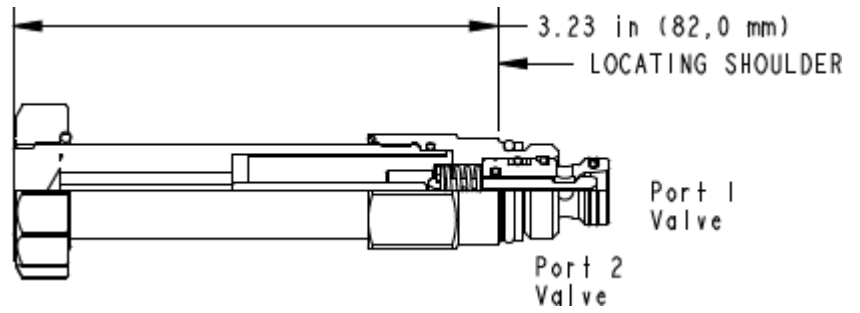
M-Control, C-Poppet



X-Control, C-Poppet

CONFIGURATION

X
C
N
—



FLeX 2 2

TECHNICAL DATA

	350 bar
110 SUS (24 cSt)	0,07 cc/min.@350 bar
	2,8 - 380 cSt
	50 ms
	15,000 max. cycles/hr
Seal kit - Cartridge	Buna: 990-608-007
Seal kit - Cartridge	Viton: 990-608-006
#	10,302,201
Seal kit - Cartridge	Buna: 990-608-007
Seal kit - Cartridge	Viton: 990-608-006

- : • O 1 0.75 in. (19 mm)
- Sun
- 2.00 inches (50,8 mm)

CONFIGURATION OPTIONS

Model Code Example: DTAFXCN

(X)

(C)

(N)

(928L)

X	C	N
D /	H	E EPDM
L		V
M		
T ()		