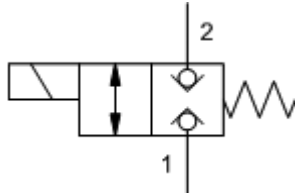
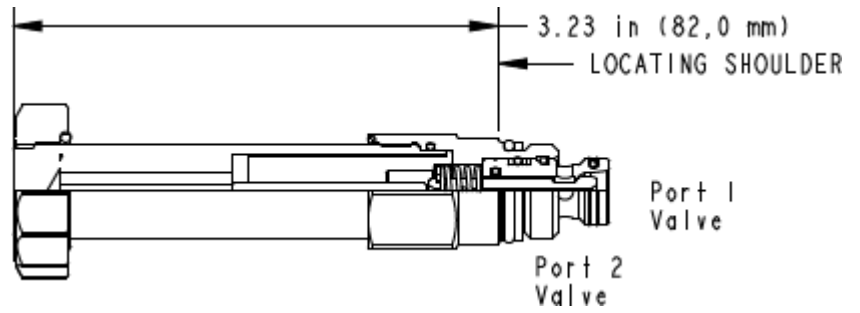


M-Control, C-Poppet



X-Control, C-Poppet



FLeX 2 2

SUN

TECHNICAL DATA NOTE: DATA MAY VARY BY CONFIGURATION. SEE CONFIGURATION SECTION.

	T-8A
	P
	28 L/min.
	350 bar
110 SUS (24 cSt)	0,07 cc/min. @350 bar
	2,8 - 380 cSt
	50 ms
	15,000 max. cycles/hr
	19,1 mm
	27 - 33 Nm
	0.18 kg.
Seal and nut kit - Coil	Viton: 990-740-006
Seal kit - Cartridge	Buna: 990-608-007
Seal kit - Cartridge	Viton: 990-608-006
#	10,302,201
Seal kit - Cartridge	Buna: 990-608-007
Seal kit - Cartridge	Viton: 990-608-006

- O 1 0.75 in. (19 mm)
- Sun
- 2.00 inches (50,8 mm)

OPTION SELECTION EXAMPLE: DTAFXCN

(X)	(C)	(N)	
X	C	N	
D /	H	E EPDM	
L		V	
M			
T ()			

TECHNICAL FEATURES

- Sun
- EPDM
- 1000
- NFPA T2.6.1 R2014
- CFD
- - 1000
- FLeX FLeX
- IP69K
- - 0.004 in³ (0.07 cc³)/min (1 /min)
- D L
- Sun /

PERFORMANCE CURVES

