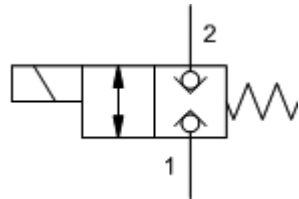
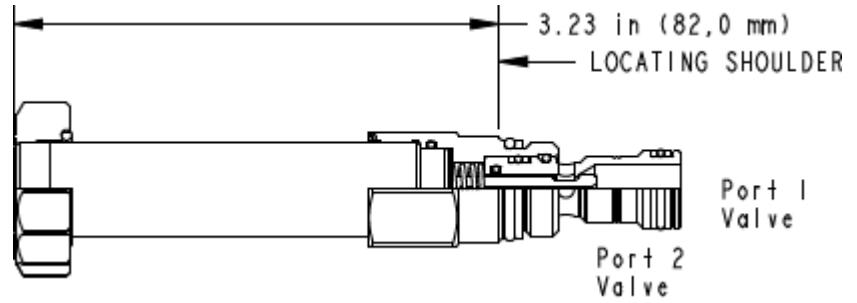


M-Control, C-Poppet



X-Control, C-Poppet



This FLeX Series, solenoid-operated 2-way, 2-position cartridge is a direct-acting directional poppet valve. Available in either normally open or normally closed configurations, these valves feature a pressure-balanced design, low leakage, and allow flow or blocking in both directions.

**TECHNICAL DATA** NOTE: DATA MAY VARY BY CONFIGURATION. SEE CONFIGURATION SECTION.

Maximum Operating Pressure	5000 psi
Maximum Valve Leakage at 110 SUS (24 cSt)	0.004 in <sup>3</sup> /min.@5000 psi
Viscosity Range	35 - 2000 SUS
Response Time - Typical	50 ms
Switching Frequency	15,000 max. cycles/hr
Seal kit - Cartridge	Buna: 990-162-007
Seal kit - Cartridge	Viton: 990-162-006
U.S. Patent #	10,302,201

- NOTES:**
- Please verify cartridge clearance requirements when choosing a Sun manifold. Different valve controls and coils require different clearances.
  - An additional 2.00 inches (50,8 mm) beyond the valve extension is needed for coil installation and removal.

**CONFIGURATION OPTIONS**

**Model Code Example: DTBFXCN**

CONTROL	(X)	POPPET CONFIGURATION	(C)	SEAL MATERIAL	(N)	COIL *
<b>X</b> No Manual Override		<b>C</b> Normally Closed		<b>N</b> Buna-N		No coil
<b>D</b> Twist/Lock (Dual) Manual Override		<b>H</b> Normally Open		<b>E</b> EPDM		* Additional coil options are available
<b>L</b> Twist/Lock (Detent) Manual Override				<b>V</b> Viton		
<b>M</b> Manual Override						
<b>T</b> Twist (Momentary) Manual Override						