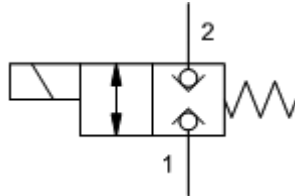
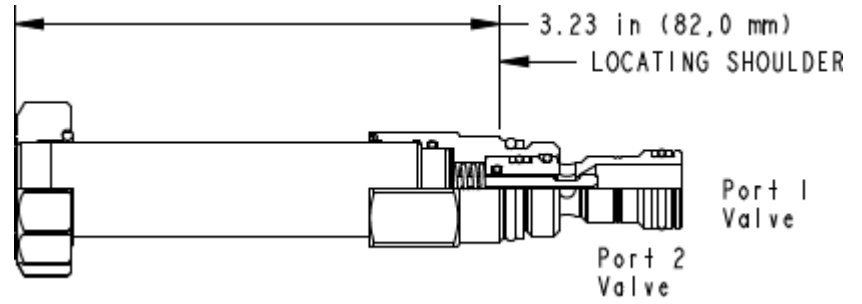


M-Control, C-Poppet



X-Control, C-Poppet



TECHNICAL DATA NOTE: DATA MAY VARY BY CONFIGURATION. SEE CONFIGURATION SECTION.

Maximum Operating Pressure	350 bar
Maximum Valve Leakage at 110 SUS (24 cSt)	0,07 cc/min.@350 bar
Viscosity Range	2,8 - 380 cSt
Response Time - Typical	50 ms
Switching Frequency	15,000 max. cycles/hr
Seal kit - Cartridge	Buna: 990-162-007
Seal kit - Cartridge	Viton: 990-162-006
U.S. Patent #	10,302,201
Seal kit - Cartridge	Buna: 990-162-007
Seal kit - Cartridge	Viton: 990-162-006

CONFIGURATION OPTIONS

Model Code Example: DTBFXCN

CONTROL	(X)	POPPET CONFIGURATION	(C)	SEAL MATERIAL	(N)	BOBINA	(928L)
X No Manual Override		C normalmente cerrado		N Buna-N		No Coil	
D Twist/Lock (Dual) Manual Override		H normalmente abierto		E EPDM			
L Twist/Lock (Detent) Manual Override				V Viton			
M activador manual							
T Twist (Momentary) Manual Override							