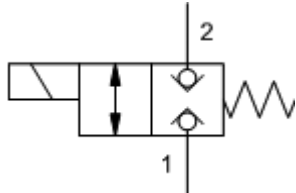
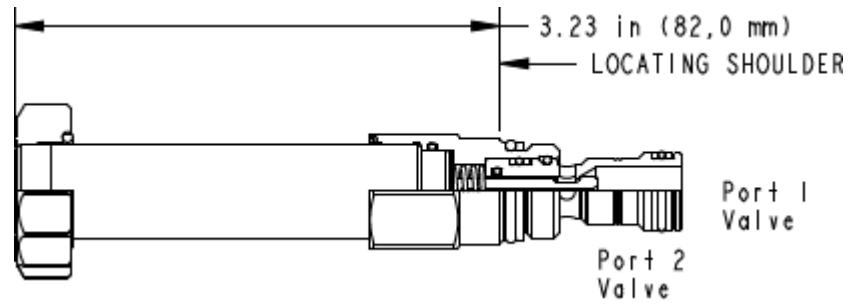


M-Control, C-Poppet



X-Control, C-Poppet



FLeX 2 2

**TECHNICAL DATA** NOTE: DATA MAY VARY BY CONFIGURATION. SEE CONFIGURATION SECTION.

	T-162A
	0
	34 L/min.
	350 bar
110 SUS (24 cSt)	0,07 cc/min.@350 bar
	2,8 - 380 cSt
	50 ms
	15,000 max. cycles/hr
	19,1 mm
	27 - 33 Nm
	0.18 kg.
Seal and nut kit - Coil	Viton: 990-740-006
Seal kit - Cartridge	Buna: 990-162-007
Seal kit - Cartridge	Viton: 990-162-006
#	10,302,201
Seal kit - Cartridge	Buna: 990-162-007
Seal kit - Cartridge	Viton: 990-162-006

- Sun
- 2.00 inches (50,8 mm)

# OPTION SELECTION EXAMPLE: DTBFXCN

	(X)	(C)	(N)
<b>X</b>	<b>C</b>	<b>N</b>	
<b>D</b> /	<b>H</b>	<b>E</b> EPDM	
<b>L</b>		<b>V</b>	
<b>M</b>			
<b>T</b> ( )			

## TECHNICAL FEATURES

- 
- 1000
- NFPA T2.6.1 R2014
- 
- CFD
- - 1000
- FLeX FLeX
- IP69K
- 
- - 0.004 in<sup>3</sup> (0.07 cc<sup>3</sup>)/min (1 /min)
- D L
- 
- 
- Sun /

## PERFORMANCE CURVES

