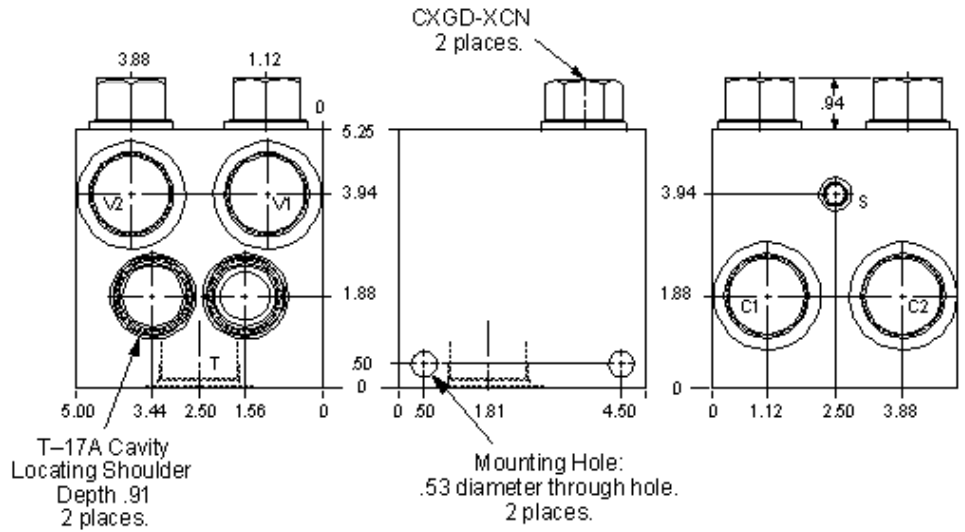




CONFIGURATION

Modifier



in.

NOTES: • **Important:** Carefully consider the maximum system pressure. The pressure rating of the manifold is dependent on the manifold material, with the port type/size a secondary consideration. Manifolds constructed of aluminum are not rated for pressures higher than 3000 psi (210 bar), regardless of the port type/size specified.

MODIFIER

(/Y3)

/Y3 65-45-12 Ductile Iron, Viton, Trivalent Clear Zinc with Top Sealer

6061-T651 Aluminum, Buna-N

/11 6061-T651 Aluminum, Buna-N, Clear Anodize - Per MIL SPEC 8625F Type II, Class I

/10 6061-T651 Aluminum, Buna-N, Black Anodize - Per MIL SPEC 8625F Type II, Class II

/V 6061-T651 Aluminum, Viton

/16 6061-T651 Aluminum, Viton, Clear Anodize - Per MIL SPEC 8625F Type II, Class I

/15 6061-T651 Aluminum, Viton, Black Anodize - Per MIL SPEC 8625F Type II, Class II

/S 65-45-12 Ductile Iron, Buna-N, Dewatering Oil

/S4 65-45-12 Ductile Iron, Buna-N, Chem. Black

/S3 65-45-12 Ductile Iron, Buna-N, Trivalent Clear Zinc with Top Sealer

/Y 65-45-12 Ductile Iron, Viton, Dewatering Oil

/Y4 65-45-12 Ductile Iron, Viton, Chem. Black