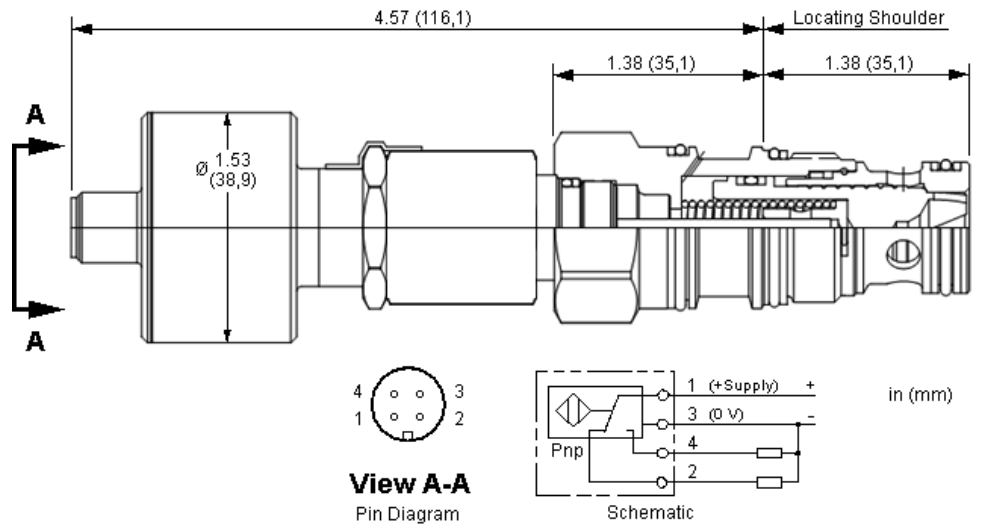


CONFIGURATION

—
—



2 1 2 3 3 1

SWITCH SPECIFICATIONS

	20-30 VDC
	-25 to 80 °C
	≥ 50g, 0-500 impulses/sec
	>50 g, 1ms
	≤ 400 mA, Duty Ratio 100%
	Yes, Load Short Unlimited
	≤ 25 ms
	≤ .002 in.
- 0-80 °C ≤ ±	0,1 mm
	DIN EN 61000-6-1/2/3/4
	M12 X 1 (4) Pin
	IP65
Seal kit - Cartridge	Buna: 990-202-007
Seal kit - Cartridge	Polyurethane: 990-002-002
Seal kit - Cartridge	Viton: 990-202-006

TECHNICAL DATA NOTE: DATA MAY VARY BY CONFIGURATION. SEE CONFIGURATION SECTION.

	T-2A
	2
	45 L/min.
	350 bar
	1,1 cc
110 SUS (24 cSt)	0,07 cc/min.
A3 A1	1.8:1
A3 A2	2.25:1
110 SUS 24 cSt	30 cc/min.@70 bar
	0,9 mm
	28,6 mm
	61 - 68 Nm
Seal kit - Cartridge	Buna: 990-202-007
Seal kit - Cartridge	Polyurethane: 990-002-002
Seal kit - Cartridge	Viton: 990-202-006

OPTION SELECTION EXAMPLE: LOECZN

(D)

(V)

D 50 psi (3,5 bar)

V

N

TECHNICAL FEATURES

-
-
- 2
-
-
-
- 1 =100% 2 =80% =180%
-
- 5000 psi (350 bar)
- CE
- 991-043
- Sun /

PERFORMANCE CURVES

