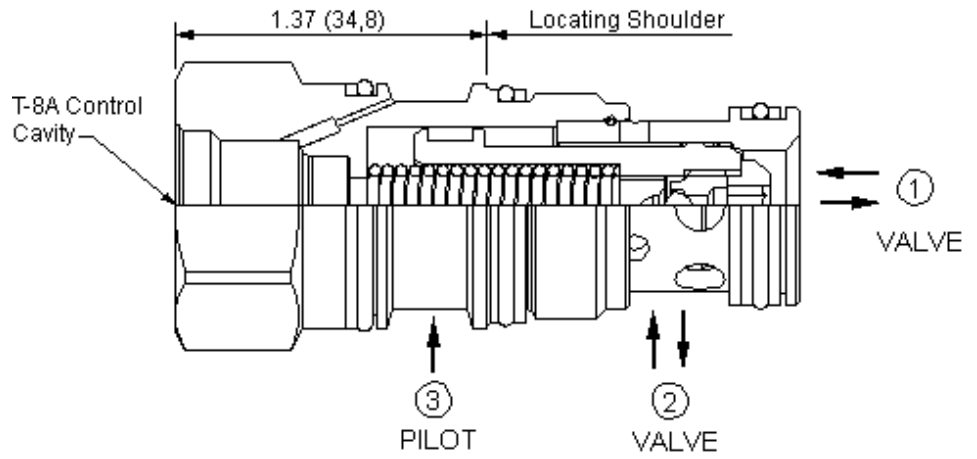


CONFIGURATION

—
—



2

TECHNICAL DATA NOTE: DATA MAY VARY BY CONFIGURATION. SEE CONFIGURATION SECTION.

	T-2A
	2
	200 L/min.
	350 bar
	1,1 cc
A3 A1	1.8:1
A3 A2	2.25:1
	T-8A
	0,53 mm
	28,6 mm
	61 - 68 Nm
Seal kit - Cartridge	Buna: 990-202-007
Seal kit - Cartridge	EPDM: 990-202-014
Seal kit - Cartridge	Polyurethane: 990-002-002
Seal kit - Cartridge	Viton: 990-202-006
Seal kit - Cartridge	Buna: 990-202-007
Seal kit - Cartridge	EPDM: 990-202-014
Seal kit - Cartridge	Polyurethane: 990-002-002
Seal kit - Cartridge	Viton: 990-202-006

: •

OPTION SELECTION EXAMPLE: LOFD8N

(D)

(N)

D 50 psi (3,5 bar)

N

E EPDM
V

TECHNICAL FEATURES

- 2
- T-8A T-8A
- T-8A T-8A
-
- EPDM
- 1 =100% 2 =80% =180%
-
- 5000 psi (350 bar)
- Sun /

PERFORMANCE CURVES

