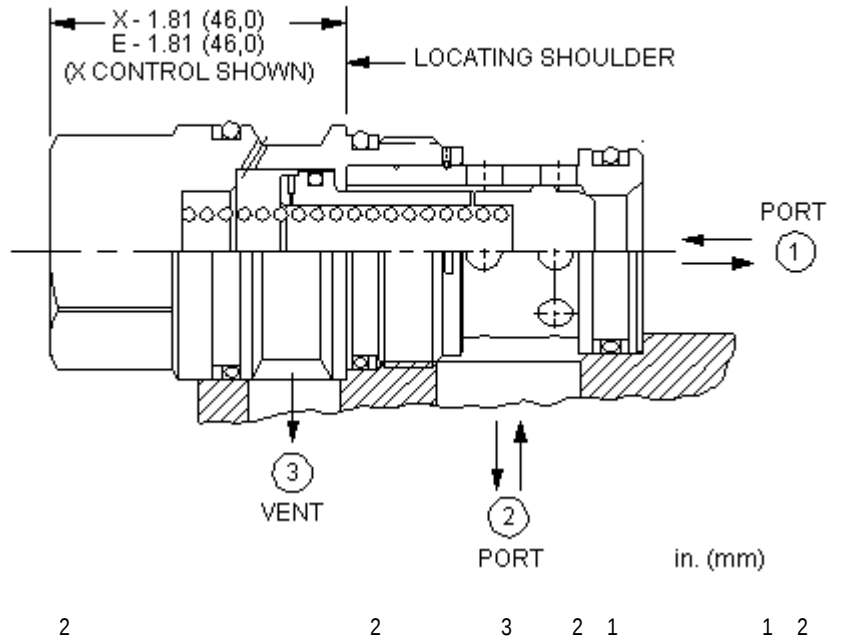


CONFIGURATION

X _____

 Material/Coating _____



TECHNICAL DATA NOTE: DATA MAY VARY BY CONFIGURATION. SEE CONFIGURATION SECTION.

	T-17A
	3
	380 L/min.
	350 bar
	4,1 cc
110 SUS (24 cSt)	0,7 cc/min.
A3 A1	1.8:1
A3 A2	2.25:1
	0,8 mm
	31,8 mm
	203 - 217 Nm
Seal kit - Cartridge	Buna: 990-017-007
Seal kit - Cartridge	EPDM: 990-017-014
Seal kit - Cartridge	Polyurethane: 990-017-002
Seal kit - Cartridge	Viton: 990-017-006

OPTION SELECTION EXAMPLE: LOHBXN

	(X)	(D)	(N)	MATERIAL/COATING
X	D	50 psi (3,5 bar)	N	Standard Material/Coating
			E EPDM	/AP
			V	

TECHNICAL FEATURES

- - EPDM
 -
 -
 - 5000 psi (350 bar)
 - /AP
 - Sun /
- 1 =100% 2 =80% =180%

316

PERFORMANCE CURVES

