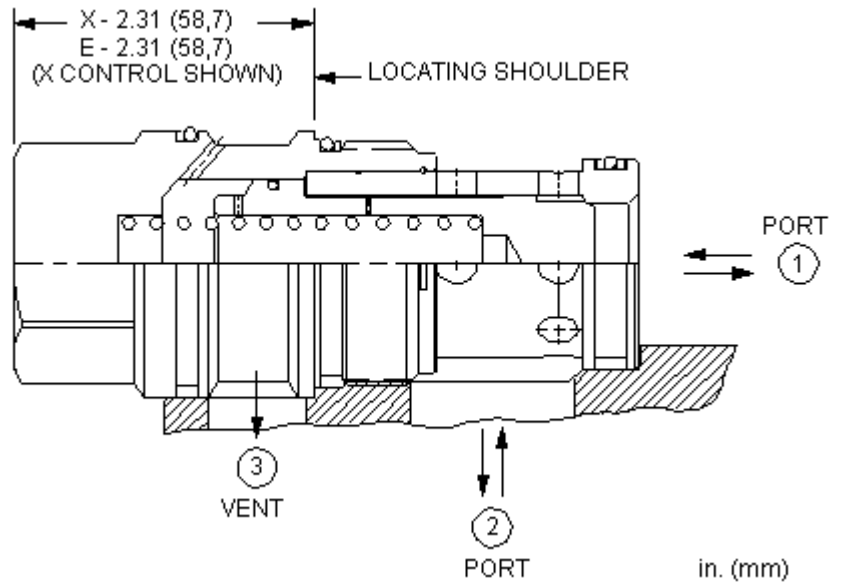


CONFIGURATION

X _____

 Material/Coating _____



2 2 3 2 1 1 2

TECHNICAL DATA NOTE: DATA MAY VARY BY CONFIGURATION. SEE CONFIGURATION SECTION.

	T-19A
	4
	760 L/min.
	350 bar
	6,9 cc
110 SUS (24 cSt)	0,7 cc/min.
A3 A1	1.8:1
A3 A2	2.25:1
	0,9 mm
	41,3 mm
	474 - 508 Nm
Seal kit - Cartridge	Buna: 990-019-007
Seal kit - Cartridge	Polyurethane: 990-019-002
Seal kit - Cartridge	Viton: 990-019-006
Seal kit - Cartridge	Buna: 990-019-007
Seal kit - Cartridge	Polyurethane: 990-019-002
Seal kit - Cartridge	Viton: 990-019-006

OPTION SELECTION EXAMPLE: LOJBXN

	(X)	(D)	(V)	MATERIAL/COATING
X	D 50 psi (3,5 bar)	V	N	Standard Material/Coating /AP

TECHNICAL FEATURES

- -
 -
 -
 - 5000 psi (350 bar)
 - /AP
 - Sun /
- 1 =100% 2 =80% =180%

316

PERFORMANCE CURVES

