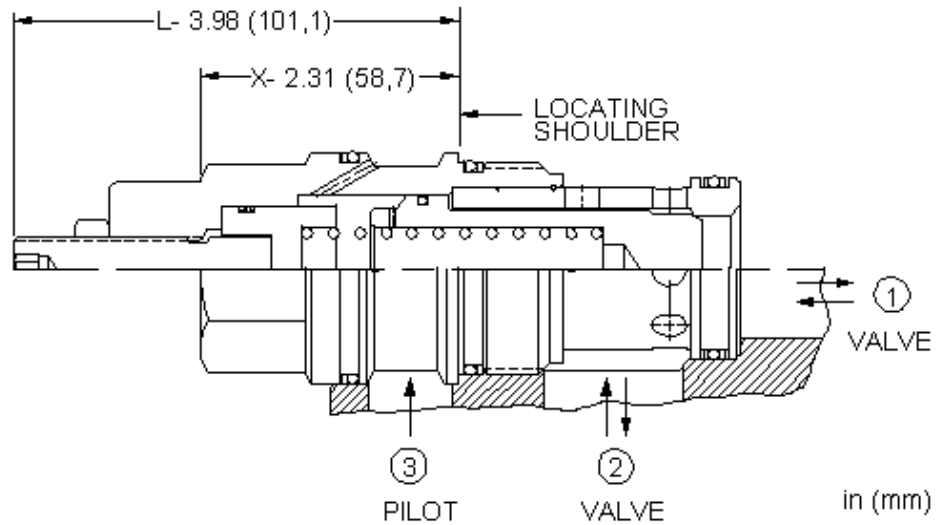


**CONFIGURATION**

X Control	Not Adjustable
Cracking Pressure	
Seal Material	
Material/Coating	



These unbalanced, pilot-to-close logic valves are 2-way switching elements that are spring biased closed. Pressure at either work port 1 or 2 will oppose the spring and tend to open the valve while pressure at port 3 will tend to close it. The force generated at port 3, plus the spring force, must be greater than the sum of the forces acting at port 1 and port 2 for the valve to remain closed. NOTE: The pilot area (port 3) is 1.8 times the area at port 1 and 2.25 times the area at port 2.

**TECHNICAL DATA** NOTE: DATA MAY VARY BY CONFIGURATION. SEE CONFIGURATION SECTION.

Cavity	T-19A
Series	4
Capacity	200 gpm
Maximum Operating Pressure	5000 psi
Area Ratio, A3 to A1	1.8:1
Area Ratio, A3 to A2	2.25:1
Maximum Valve Leakage at 110 SUS (24 cSt)	10 drops/min.
Pilot Passage into Valve	.09 in.
Pilot Volume Displacement	.42 in <sup>3</sup>
Valve Hex Size	1 5/8 in.
Valve Installation Torque	350 - 375 lbf ft
Seal kit - Cartridge	Buna: 990-019-007
Seal kit - Cartridge	Polyurethane: 990-019-002
Seal kit - Cartridge	Viton: 990-019-006

## OPTION SELECTION EXAMPLE: LOJCXN

CONTROL	(X) CRACKING PRESSURE	(D) SEAL MATERIAL	(V) MATERIAL/COATING
X Not Adjustable	D 50 psi (3,5 bar)	V Viton N Buna-N	/LH Mild Steel, Zinc-Nickel /AP Stainless Steel, Passivated Standard Material/Coating

### TECHNICAL FEATURES

- These valves have positive seals between port 2 and the pilot area.
- Because these valves are unbalanced, operation is pressure dependent. Opening and closing of the poppet are functions of the force balances on three areas: Port 1 = 100%, Port 2 = 80%, and the Pilot Area = 180%.
- These valves are pressure responsive at all ports, therefore it is essential to consider all aspects of system operation through a complete cycle. Pressure changes at any one port may cause a valve to switch from a closed to an open position, or vice versa. All possible pressure changes in the complete circuit must be considered to assure a safe, functional system design.
- Pilot port 3 requires a controlled pressure. A blocked port 3 may result in pressure intensification due to the floating design of the sleeve.
- All ports will accept 5000 psi (350 bar).
- Corrosion resistant cartridge valves are intended for use in corrosive environments and are identified by the model code suffix /AP for external stainless steel components, or /LH for external zinc-nickel plated components. See the CONFIGURATION section for all options. For further details, please see the Materials of Construction page located under TECH RESOURCES.
- Incorporates the Sun floating style construction to minimize the possibility of internal parts binding due to excessive installation torque and/or cavity/cartridge machining variations.

### PERFORMANCE CURVES

