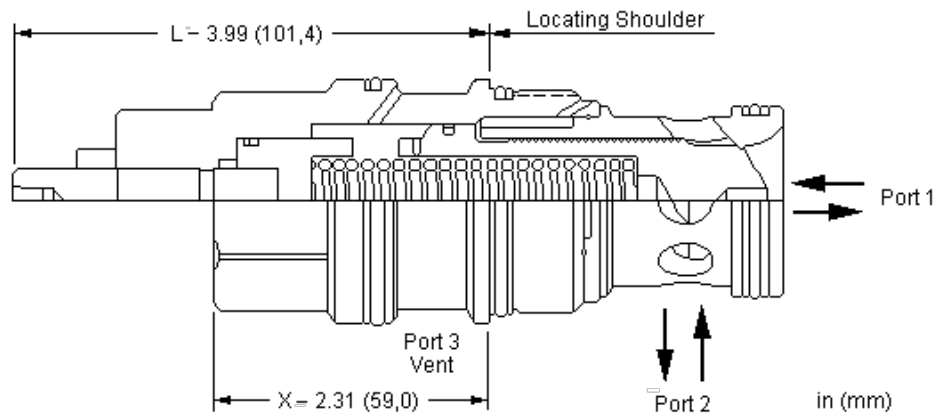


CONFIGURATION

X _____

 Material/Coating _____



2 1 3 1 2 2 1

TECHNICAL DATA

	350 bar
110 SUS (24 cSt)	0,7 cc/min.
A3 A1	1.8:1
A3 A2	2.25:1
	0,9 mm
Seal kit - Cartridge	Buna: 990-019-007
Seal kit - Cartridge	Polyurethane: 990-019-002
Seal kit - Cartridge	Viton: 990-019-006

CONFIGURATION OPTIONS

Model Code Example: LOKAXN

(X)	(D)	(V)	MATERIAL/COATING
X	D 50 psi (3,5 bar)	V	Standard Material/Coating
L		N	/AP