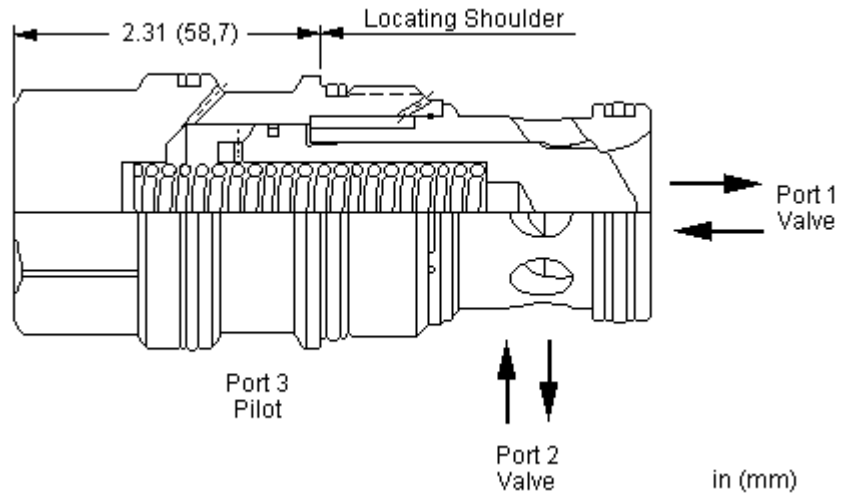


CONFIGURATION

X _____

 Material/Coating _____



2 1 2 3 3 1

TECHNICAL DATA

	350 bar
110 SUS (24 cSt)	0,7 cc/min.
A3 A1	1.8:1
A3 A2	2.25:1
	2,3 mm
Seal kit - Cartridge	Buna: 990-019-007
Seal kit - Cartridge	EPDM: 990-019-014
Seal kit - Cartridge	Polyurethane: 990-019-002
Seal kit - Cartridge	Viton: 990-019-006

CONFIGURATION OPTIONS

Model Code Example: LOKCXN

(X)	(X)	(N)	MATERIAL/COATING	(/LH)
X	X 0 psi (0 bar) D 50 psi (3,5 bar)	N E EPDM V	/LH /AP Standard Material/Coating	-