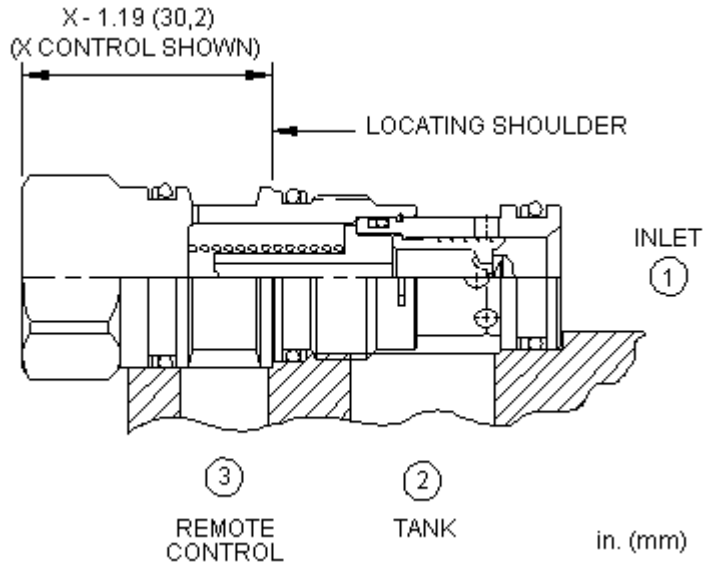


CONFIGURATION

X	Control	Not Adjustable
C	Bias Pressure	30 psi (2 bar)
	Seal Material	
	Material/Coating	



Normally closed modulating elements with an internal orifice between port 1 and port 3 can be used as a main-stage relief valve. The valve can be controlled remotely using a pilot relief or pilot solenoid valve.

TECHNICAL DATA

Maximum Operating Pressure	5000 psi
Control Orifice Diameter	.016 in.
Control Pilot Flow	10 - 15 in ³ /min.
Maximum Valve Leakage at 110 SUS (24 cSt)	1 in ³ /min.@1000 psi
Seal kit - Cartridge	Buna: 990-011-007
Seal kit - Cartridge	Polyurethane: 990-011-002
Seal kit - Cartridge	Viton: 990-011-006

CONFIGURATION OPTIONS

Model Code Example: LRDA XCHN

CONTROL	(X)	BIAS PRESSURE	(C)	SEAL MATERIAL	(V)	MATERIAL/COATING
X	Not Adjustable	C	30 psi (2 bar)	V	Viton	Standard Material/Coating
		D	50 psi (3,5 bar)	N	Buna-N	IAP Stainless Steel, Passivated
		F	100 psi (7 bar)			
		H	200 psi (14 bar)			