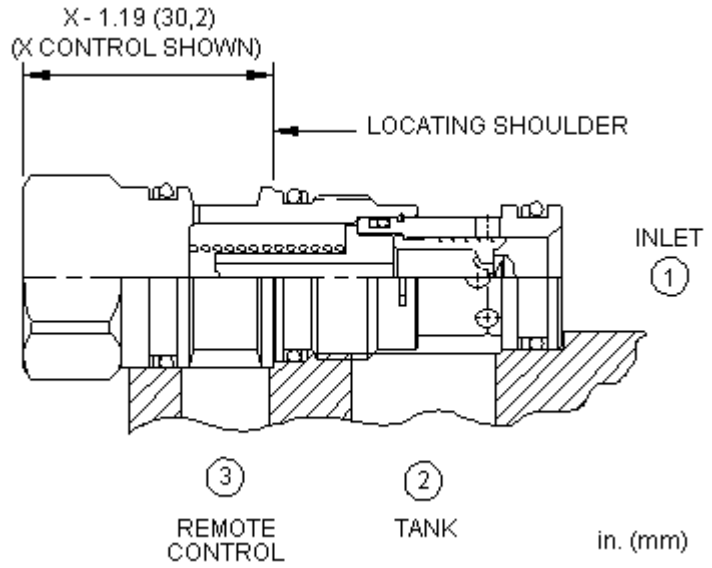


CONFIGURATION

X	
C	30 psi (2 bar)
Material/Coating	



1 3

TECHNICAL DATA

	350 bar
110 SUS (24 cSt)	15 cc/min.@70 bar
	0,16 - 0,25 L/min.
	0,4 mm
Seal kit - Cartridge	Buna: 990-011-007
Seal kit - Cartridge	Polyurethane: 990-011-002
Seal kit - Cartridge	Viton: 990-011-006

CONFIGURATION OPTIONS

Model Code Example: LRDA XCHN

(X)	(C)	(V)	MATERIAL/COATING
X	C 30 psi (2 bar) D 50 psi (3,5 bar) F 100 psi (7 bar) H 200 psi (14 bar)	V N	Standard Material/Coating IAP