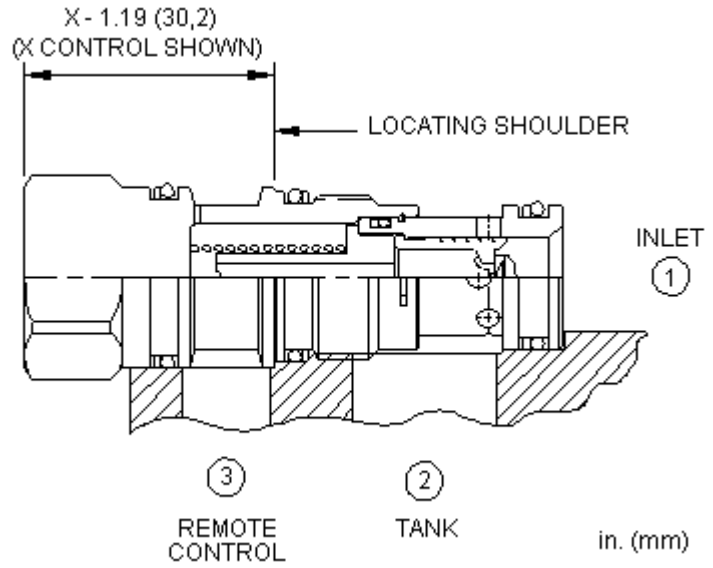


**CONFIGURATION**

X	
C	30 psi (2 bar)
Material/Coating	



1 3

**TECHNICAL DATA** NOTE: DATA MAY VARY BY CONFIGURATION. SEE CONFIGURATION SECTION.

	T-11A
	1
	60 L/min.
	350 bar
110 SUS (24 cSt)	15 cc/min. @70 bar
	0,16 - 0,25 L/min.
	0,4 mm
	22,2 mm
	41 - 47 Nm
Seal kit - Cartridge	Buna: 990-011-007
Seal kit - Cartridge	Polyurethane: 990-011-002
Seal kit - Cartridge	Viton: 990-011-006

**OPTION SELECTION EXAMPLE: LRDXCHN**

	(X)	(C)	(V)	MATERIAL/COATING
<b>X</b>	<b>C</b>	30 psi (2 bar)	<b>V</b>	Standard Material/Coating
	D	50 psi (3,5 bar)	N	/AP
	F	100 psi (7 bar)		
	H	200 psi (14 bar)		

**TECHNICAL FEATURES**

- L
- 5000 psi (350 bar)
- /AP
- Sun /

316