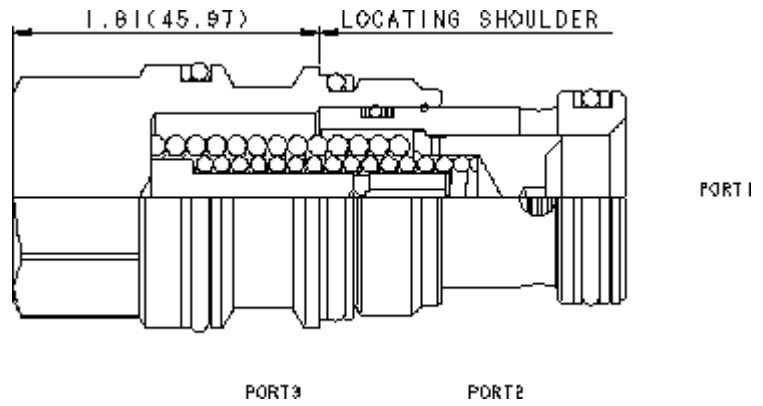


CONFIGURATION

X	Control	Not Adjustable
H	Differential Pressure	200 psi (14 bar)
N	Seal Material	Buna-N
	Material/Coating	



TECHNICAL DATA

Maximum Operating Pressure	350 bar
Seal kit - Cartridge	Buna: 990-017-007
Seal kit - Cartridge	Polyurethane: 990-017-002
Seal kit - Cartridge	Viton: 990-017-006
Seal kit - Cartridge	Buna: 990-017-007
Seal kit - Cartridge	Polyurethane: 990-017-002
Seal kit - Cartridge	Viton: 990-017-006

CONFIGURATION OPTIONS

Model Code Example: LRHCXHN

CONTROL	(X)	DIFFERENTIAL PRESSURE	(H)	SEAL MATERIAL	(N)	MATERIAL/COATING
X	Not Adjustable	H	200 psi (14 bar)	N	Buna-N	Standard Material/Coating
L	Tuning Adjustment	F	100 psi (7 bar)	V	Viton	/AP Stainless Steel, Passivated
		G	150 psi (10,5 bar)			