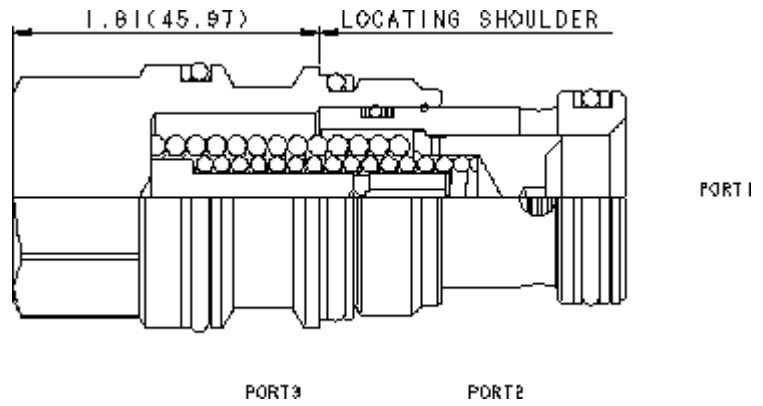


CONFIGURATION

X	Control	Not Adjustable
H	Differential Pressure	200 psi (14 bar)
N	Seal Material	Buna-N
	Material/Coating	



TECHNICAL DATA NOTE: DATA MAY VARY BY CONFIGURATION. SEE CONFIGURATION SECTION.

cavidad	T-17A
Series	3
Capacity	240 L/min.
Maximum Operating Pressure	350 bar
Valve Hex Size	31,8 mm
Valve Installation Torque	203 - 217 Nm
Model Weight	0.50 kg.
Seal kit - Cartridge	Buna: 990-017-007
Seal kit - Cartridge	Polyurethane: 990-017-002
Seal kit - Cartridge	Viton: 990-017-006
Seal kit - Cartridge	Buna: 990-017-007
Seal kit - Cartridge	Polyurethane: 990-017-002
Seal kit - Cartridge	Viton: 990-017-006

OPTION SELECTION EXAMPLE: LRHCXHN

CONTROL	(X)	DIFFERENTIAL PRESSURE	(H)	SEAL MATERIAL	(N)	MATERIAL/COATING
X Not Adjustable		H 200 psi (14 bar)		N Buna-N		Standard Material/Coating
L Tuning Adjustment		F 100 psi (7 bar)		V Viton		/AP Stainless Steel, Passivated
		G 150 psi (10,5 bar)				