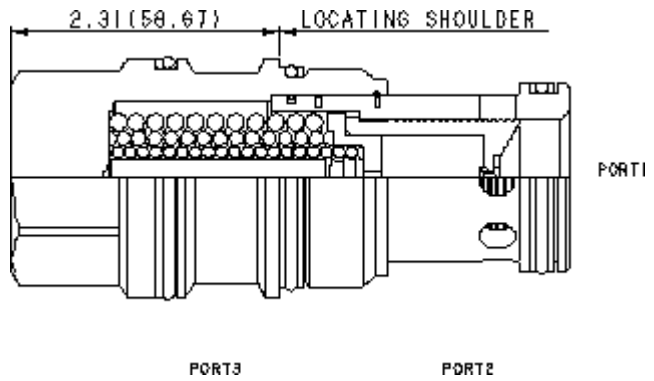


**CONFIGURATION**

X	
H	200 psi (14 bar)
N	
Material/Coating	



**TECHNICAL DATA**

	350 bar
Seal kit - Cartridge	Buna: 990-019-007
Seal kit - Cartridge	EPDM: 990-019-014
Seal kit - Cartridge	Polyurethane: 990-019-002
Seal kit - Cartridge	Viton: 990-019-006
Seal kit - Cartridge	Buna: 990-019-007
Seal kit - Cartridge	EPDM: 990-019-014
Seal kit - Cartridge	Polyurethane: 990-019-002
Seal kit - Cartridge	Viton: 990-019-006

**CONFIGURATION OPTIONS**

**Model Code Example: LRJ CXHN**

(X)	(H)	(N)	MATERIAL/COATING
X	H 200 psi (14 bar)	N	Standard Material/Coating
L	D 50 psi (3,5 bar)	E EPDM	IAP
	F 100 psi (7 bar)	V	
	G 150 psi (10,5 bar)		