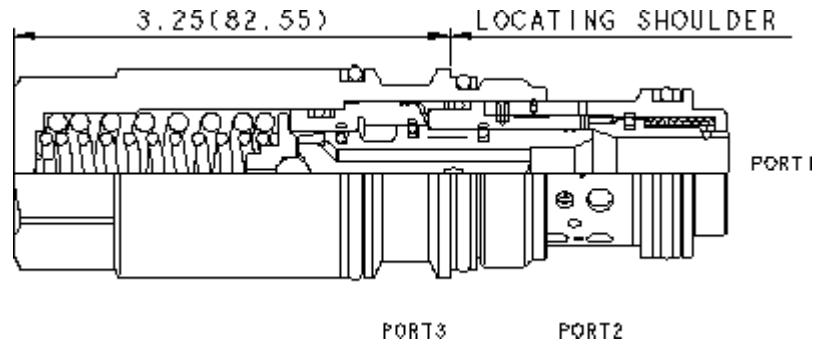


3-Port Non-vented, Fixed Setting



TECHNICAL DATA NOTE: DATA MAY VARY BY CONFIGURATION. SEE CONFIGURATION SECTION.

Seal kit - Cartridge	Buna: 990-017-007
Seal kit - Cartridge	EPDM: 990-017-014
Seal kit - Cartridge	Polyurethane: 990-017-002
Seal kit - Cartridge	Viton: 990-017-006

CONFIGURATION OPTIONS

Model Code Example: **MBGAXLN**

FACTORY SET

(L)

SEAL MATERIAL

(N)

MATERIAL/COATING

- L** 4000 psi (280 bar)
- K** 3000 psi (210 bar)
- M** 5000 psi (350 bar)

- N** Buna-N
- E** EPDM
- V** Viton

- Standard Material/Coating**
- /LH** Mild Steel, Zinc-Nickel