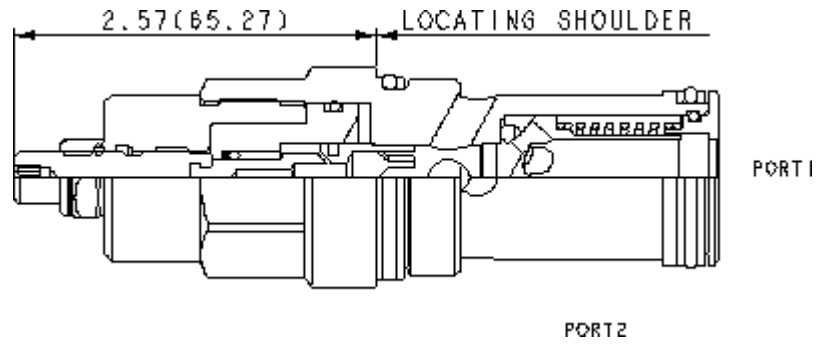


CONFIGURATION

L	
C	30 psi (2 bar)
N	
Material/Coating	



TECHNICAL DATA NOTE: DATA MAY VARY BY CONFIGURATION. SEE CONFIGURATION SECTION.

	T-16A
	3
	120 L/min. (9,7 mm)
	350 bar
110 SUS (24 cSt)	0,7 cc/min.
-	5
	31,8 mm
	203 - 217 Nm
	4 mm
	15 mm
	9 - 10 Nm
	0.57 kg.
Seal kit - Cartridge	Buna: 990-016-007
Seal kit - Cartridge	EPDM: 990-016-014
Seal kit - Cartridge	Polyurethane: 990-016-002
Seal kit - Cartridge	Viton: 990-016-006
Seal kit - Cartridge	Buna: 990-016-007
Seal kit - Cartridge	EPDM: 990-016-014
Seal kit - Cartridge	Polyurethane: 990-016-002
Seal kit - Cartridge	Viton: 990-016-006

OPTION SELECTION EXAMPLE: NCFBLCN

	(L)	(C)	(N)	MATERIAL/COATING	(/LH)
L	C	30 psi (2 bar)	N	/LH	-
H	A 4 psi (0,3 bar)	E EPDM	/AP		
	B 15 psi (1 bar)	V	Standard Material/Coating		
	D 50 psi (3,5 bar)				
	E 75 psi (5 bar)				

TECHNICAL FEATURES

- 2
- 1 2
-
-
- EPDM
- Sun

PERFORMANCE CURVES

