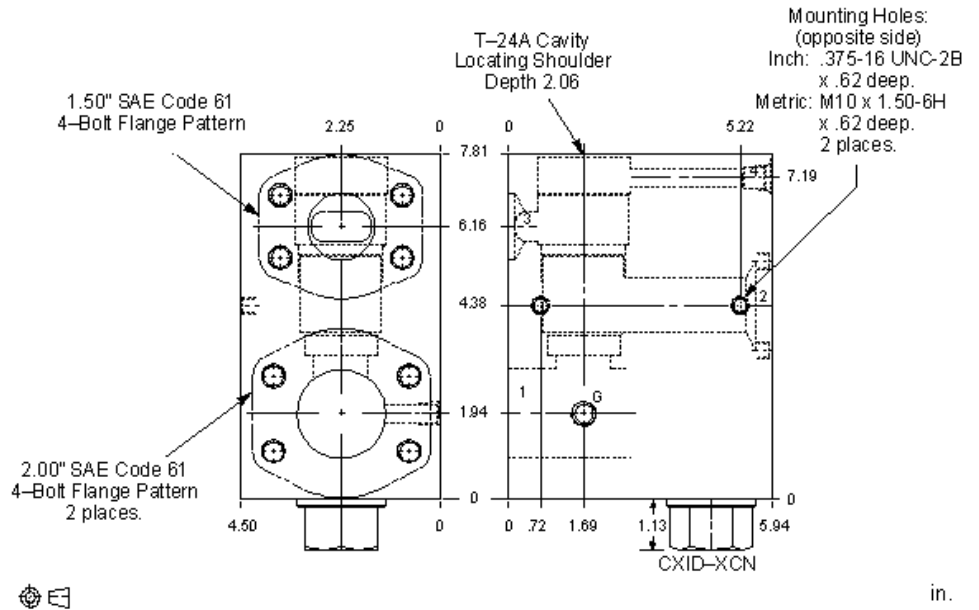




**CONFIGURATION**

Modifier



**NOTES:** • **Important:** Carefully consider the maximum system pressure. The pressure rating of the manifold is dependent on the manifold material, with the port type/size a secondary consideration. Manifolds constructed of aluminum are not rated for pressures higher than 3000 psi (210 bar), regardless of the port type/size specified.

**MODIFIER**

(Y)

<b>/Y</b>	65-45-12 Ductile Iron, Viton, Dewatering Oil 6061-T651 Aluminum, Buna-N
<b>/11</b>	6061-T651 Aluminum, Buna-N, Clear Anodize - Per MIL SPEC 8625F Type II, Class I
<b>/10</b>	6061-T651 Aluminum, Buna-N, Black Anodize - Per MIL SPEC 8625F Type II, Class II
<b>/V</b>	6061-T651 Aluminum, Viton
<b>/16</b>	6061-T651 Aluminum, Viton, Clear Anodize - Per MIL SPEC 8625F Type II, Class I
<b>/15</b>	6061-T651 Aluminum, Viton, Black Anodize - Per MIL SPEC 8625F Type II, Class II
<b>/M</b>	6061-T651 Aluminum, Metric, Buna-N
<b>/1B</b>	6061-T651 Aluminum, Metric, Buna-N, Clear Anodize - Per MIL SPEC 8625F Type II, Class I
<b>/1A</b>	6061-T651 Aluminum, Metric, Buna-N, Black Anodize - Per MIL SPEC 8625F Type II, Class II
<b>/Z</b>	6061-T651 Aluminum, Metric, Viton
<b>/1G</b>	6061-T651 Aluminum, Metric, Viton, Clear Anodize - Per MIL SPEC 8625F Type II, Class I
<b>/1F</b>	6061-T651 Aluminum, Metric, Viton, Black Anodize - Per MIL SPEC 8625F Type II, Class II
<b>/S</b>	65-45-12 Ductile Iron, Buna-N, Dewatering Oil
<b>/S4</b>	65-45-12 Ductile Iron, Buna-N, Chem. Black
<b>/S3</b>	65-45-12 Ductile Iron, Buna-N, Trivalent Clear Zinc with Top Sealer
<b>/Y4</b>	65-45-12 Ductile Iron, Viton, Chem. Black
<b>/Y3</b>	65-45-12 Ductile Iron, Viton, Trivalent Clear Zinc with Top Sealer
<b>/T</b>	65-45-12 Ductile Iron, Metric, Buna-N, Dewatering Oil
<b>/T4</b>	65-45-12 Ductile Iron, Metric, Buna-N, Chem. Black
<b>/T3</b>	65-45-12 Ductile Iron, Metric, Buna-N, Trivalent Clear Zinc with Top Sealer
<b>/W</b>	65-45-12 Ductile Iron, Metric, Viton, Dewatering Oil
<b>/W4</b>	65-45-12 Ductile Iron, Metric, Viton, Chem. Black
<b>/W3</b>	65-45-12 Ductile Iron, Metric, Viton, Trivalent Clear Zinc with Top Sealer