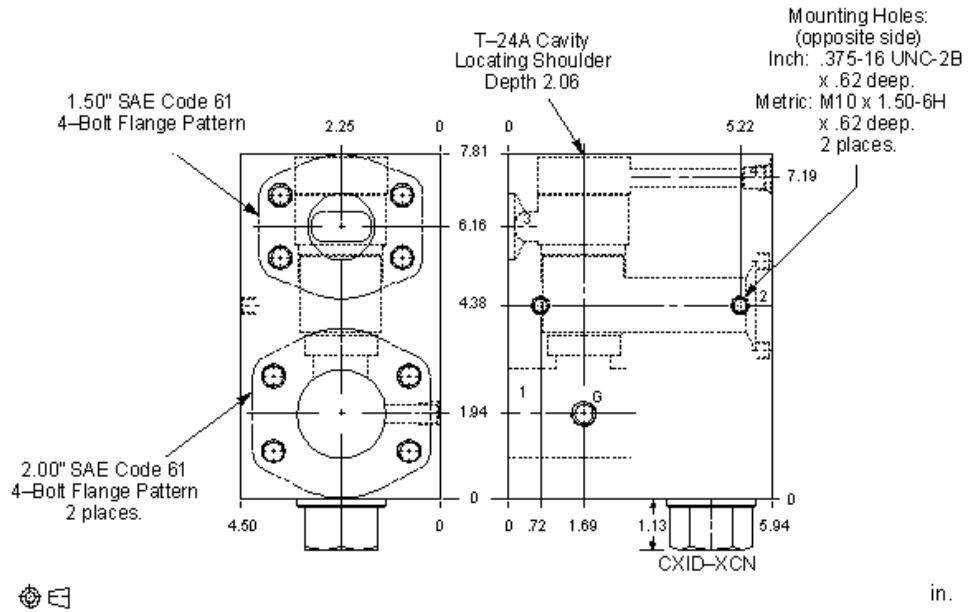




## CONFIGURATION

Modifier



**NOTES:** • **Important:** Carefully consider the maximum system pressure. The pressure rating of the manifold is dependent on the manifold material, with the port type/size a secondary consideration. Manifolds constructed of aluminum are not rated for pressures higher than 3000 psi (210 bar), regardless of the port type/size specified.

## MODIFIER

(Y)

<b>Y</b>	65-45-12 Ductile Iron, Viton, Dewatering Oil 6061-T651 Aluminum, Buna-N
<b>I11</b>	6061-T651 Aluminum, Buna-N, Clear Anodize - Per MIL SPEC 8625F Type II, Class I
<b>I10</b>	6061-T651 Aluminum, Buna-N, Black Anodize - Per MIL SPEC 8625F Type II, Class II
<b>IV</b>	6061-T651 Aluminum, Viton
<b>I16</b>	6061-T651 Aluminum, Viton, Clear Anodize - Per MIL SPEC 8625F Type II, Class I
<b>I15</b>	6061-T651 Aluminum, Viton, Black Anodize - Per MIL SPEC 8625F Type II, Class II
<b>IM</b>	6061-T651 Aluminum, Metric, Buna-N
<b>I1B</b>	6061-T651 Aluminum, Metric, Buna-N, Clear Anodize - Per MIL SPEC 8625F Type II, Class I
<b>I1A</b>	6061-T651 Aluminum, Metric, Buna-N, Black Anodize - Per MIL SPEC 8625F Type II, Class II
<b>I2</b>	6061-T651 Aluminum, Metric, Viton
<b>I1G</b>	6061-T651 Aluminum, Metric, Viton, Clear Anodize - Per MIL SPEC 8625F Type II, Class I
<b>I1F</b>	6061-T651 Aluminum, Metric, Viton, Black Anodize - Per MIL SPEC 8625F Type II, Class II
<b>IS</b>	65-45-12 Ductile Iron, Buna-N, Dewatering Oil
<b>IS4</b>	65-45-12 Ductile Iron, Buna-N, Chem. Black
<b>IS3</b>	65-45-12 Ductile Iron, Buna-N, Trivalent Clear Zinc with Top Sealer
<b>IY4</b>	65-45-12 Ductile Iron, Viton, Chem. Black
<b>IY3</b>	65-45-12 Ductile Iron, Viton, Trivalent Clear Zinc with Top Sealer
<b>IT</b>	65-45-12 Ductile Iron, Metric, Buna-N, Dewatering Oil
<b>IT4</b>	65-45-12 Ductile Iron, Metric, Buna-N, Chem. Black
<b>IT3</b>	65-45-12 Ductile Iron, Metric, Buna-N, Trivalent Clear Zinc with Top Sealer
<b>IW</b>	65-45-12 Ductile Iron, Metric, Viton, Dewatering Oil
<b>IW4</b>	65-45-12 Ductile Iron, Metric, Viton, Chem. Black
<b>IW3</b>	65-45-12 Ductile Iron, Metric, Viton, Trivalent Clear Zinc with Top Sealer