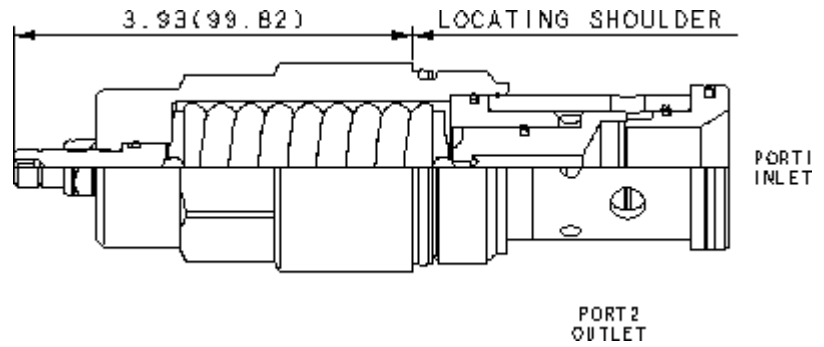


**CONFIGURATION**

L	
A	500 - 3000 psi (35 - 210 bar), 1000 psi (70 bar)
N	
	Material/Coating



**TECHNICAL DATA**

	350 bar
	0,7 cc/min.
	15 L/min.
	2 ms
	>90% of setting
-	6
	15 mm
	9 - 10 Nm
Seal kit - Cartridge	Buna: 990-318-007
Seal kit - Cartridge	EPDM: 990-318-014
Seal kit - Cartridge	Viton: 990-318-006
Seal kit - Cartridge	Buna: 990-318-007
Seal kit - Cartridge	EPDM: 990-318-014
Seal kit - Cartridge	Viton: 990-318-006

**CONFIGURATION OPTIONS**

**Model Code Example: RDJALAN**

(L)	(A)	(N)	MATERIAL/COATING	(/LH)
<b>L</b>	<b>A</b> 500 - 3000 psi (35 - 210 bar), 1000 psi (70 bar)	<b>N</b>	<b>/LH</b> -	
	<b>B</b> 300 - 1500 psi (20 - 105 bar), 1000 psi (70 bar)	<b>E</b> EPDM	<b>/AP</b>	
	<b>C</b> 1000 - 6000 psi (70 - 420 bar), 1000 psi (70 bar)	<b>V</b>	Standard Material/Coating	
	<b>D</b> 200 - 800 psi (14 - 55 bar), 400 psi (28 bar)			
	<b>E</b> 100 - 400 psi (7 - 28 bar), 200 psi (14 bar)			
	<b>S</b> 50 - 200 psi (3,5 - 14 bar), 100 psi (7 bar)			
	<b>W</b> 800 - 4500 psi (55 - 315 bar), 1000 psi (70 bar)			