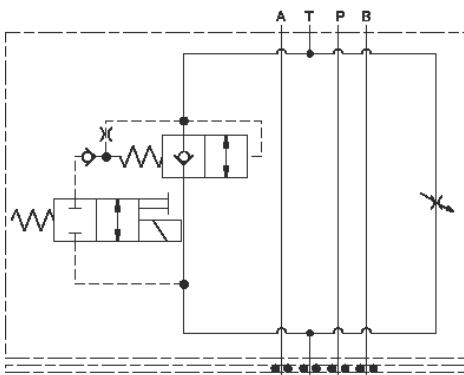
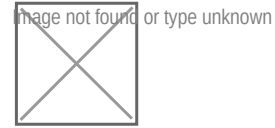


Meter in P



Meter out T



This assembly consists of a needle valve which is a fully-adjustable orifice used to regulate flow. It is infinitely adjustable from fully closed up to the maximum orifice diameter. It is not pressure-compensated. It may be used as flow controls or as shutoff valves. The rapid or feed rate is selected by a solenoid operated (normally open or closed) 2-way, 2-position valve.

**TECHNICAL DATA** NOTE: DATA MAY VARY BY CONFIGURATION. SEE CONFIGURATION SECTION.

Body Type	Sandwich
Interface	ISO 03
Body Features	Meter in P or Meter out T
Control Flow Range	0 - 7 gpm
Seal Plate Included (see notes)	Yes
Stack Height	1.75 in.

- NOTES:**
- Customer to install locating pin (included) for functional orientation desired.
  - Stack height value in technical data table includes seal retainer plate.
  - For detailed information regarding the cartridges contained in this assembly, click on the models codes shown in the Included Components tab.
  - **Important:** Carefully consider the maximum system pressure. The pressure rating of the manifold is dependent on the manifold material, with the port type/size a secondary consideration. Manifolds constructed of aluminum are not rated for pressures higher than 3000 psi (210 bar), regardless of the port type/size specified.

**CONFIGURATION OPTIONS**

Model Code Example: X2CNLCNFA224

CONTROL		(L) MAXIMUM ORIFICE DIAMETER	(C) SEAL MATERIAL	(N)	
<b>L</b>	Standard Screw Adjustment	<b>C</b>	.19 in. (4,8 mm)	<b>N</b>	Buna-N
<b>H</b>	Calibrated Handknob with Detent Lock	<b>D</b>	.09 in. (2,3 mm)	<b>V</b>	Viton
<b>K</b>	Handknob				

**INCLUDED COMPONENTS**

Part	Description	Quantity
500-001-012*	O-Ring	4
700-002*	Seal Plate	1
811-001-006*	Pin	1
DFCA8DN	Cartridge	1
DTAFMHN224	Cartridge	1
NFCCLCN	Cartridge - Primary	1