

This assembly consists of a fully-adjustable, pressure-compensated flow control with reverse-flow check which provides precise flow regulation for meter-in or meter-out applications where there may be wide pressure fluctuations. It is infinitely adjustable from nearly closed up to the maximum flow. An integral high-capacity check valve provides unrestricted flow in the reverse direction. The rapid or feed rate is selected by a solenoid operated (normally open or closed) 2-way, 2-position valve.

**TECHNICAL DATA** NOTE: DATA MAY VARY BY CONFIGURATION. SEE CONFIGURATION SECTION.

Body Type	Sandwich
Interface	ISO 05
Capacity	30 gpm
Body Features	Meter in P
Control Flow Range	0 - 12 gpm
Seal Plate Included (see notes)	No
Stack Height	2.44 in.

- NOTES:**
- Seal retainer plate is not required for this assembly.
  - For detailed information regarding the cartridges contained in this assembly, click on the models codes shown in the Included Components tab.
  - **Important:** Carefully consider the maximum system pressure. The pressure rating of the manifold is dependent on the manifold material, with the port type/size a secondary consideration. Manifolds constructed of aluminum are not rated for pressures higher than 3000 psi (210 bar), regardless of the port type/size specified.

**OPTION SELECTION EXAMPLE: X2DDLANFA224**

CONTROL	(L) ADJUSTMENT RANGE	(A) SEAL MATERIAL	(N)
<b>L</b> Standard Screw Adjustment	<b>A</b> .2 - 12 gpm (0,8 - 45 L/min.)	<b>N</b> Buna-N	
<b>C</b> Tamper Resistant - Factory Set	<b>B</b> .2 - 3 gpm (0,8 - 11 L/min.)	<b>V</b> Viton	
<b>H</b> Calibrated Handknob with Detent Lock			
<b>K</b> Handknob			
<b>Y</b> Tri-Grip Handknob			

**INCLUDED COMPONENTS**

Part	Description	Quantity
500-001-014*	O-Ring	5
DFDA8DN	Cartridge	1
DTAFMHN224	Cartridge	1
FDCBLAN	Cartridge - Primary	1

**TECHNICAL FEATURES**

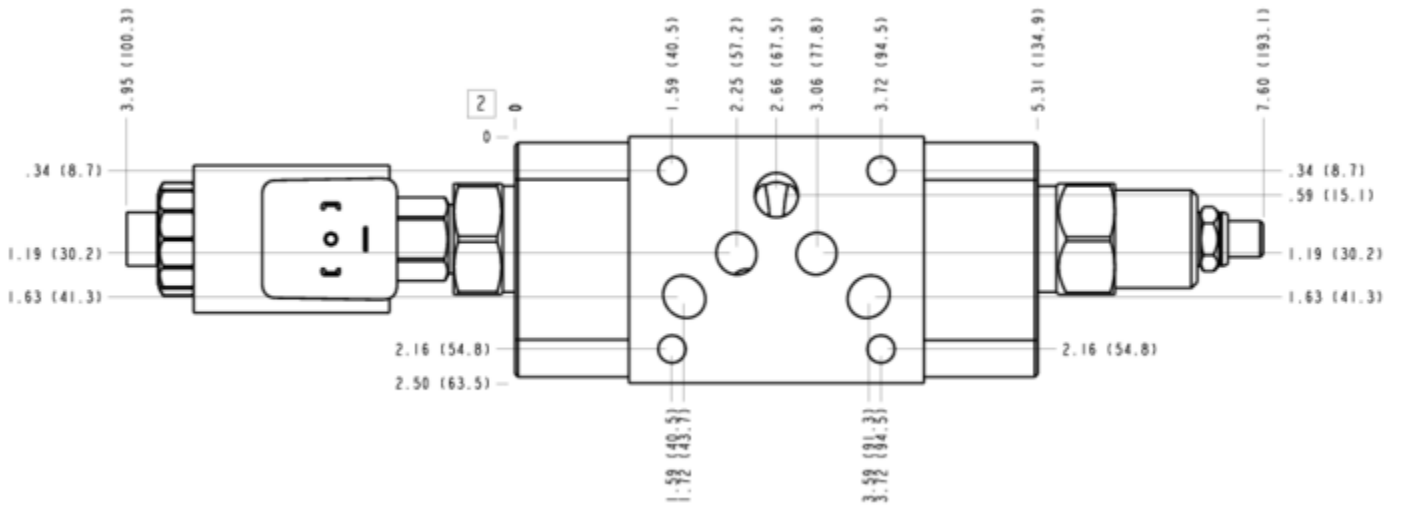
- The sharp-edged orifice design minimizes flow variations due to viscosity changes.
- A balanced adjustment mechanism allows for easy adjustment even at high pressures.
- Now available with FLEx Series solenoid valves. See CONFIGURATION section, SOLENOID DESIGNATION to specify.

**MANIFOLD FACES**

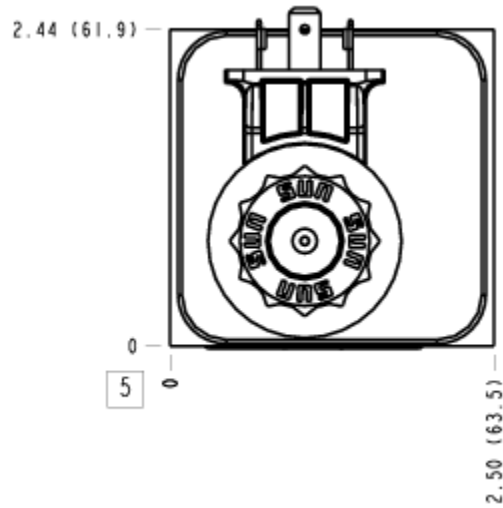
**FACE GRID**

1	2	3	4
5	6	7	8
9	10	11	12

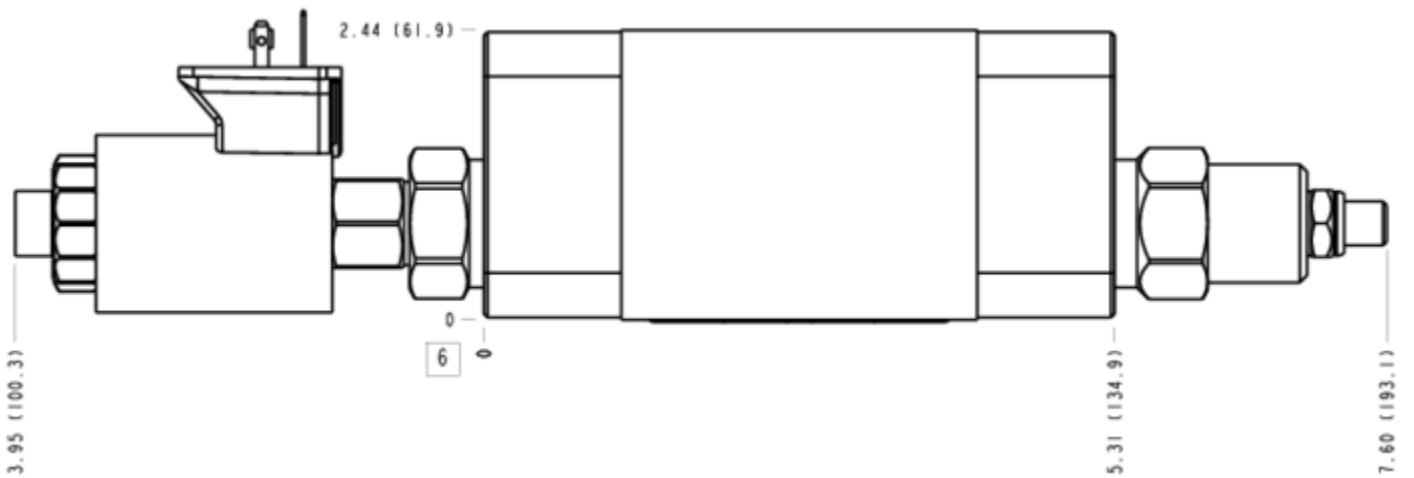
### FACE 2



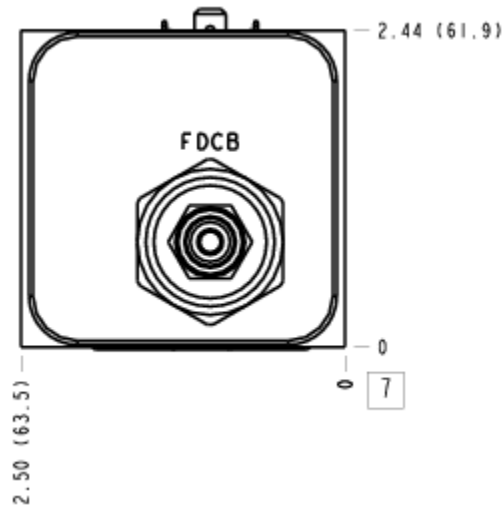
### FACE 5



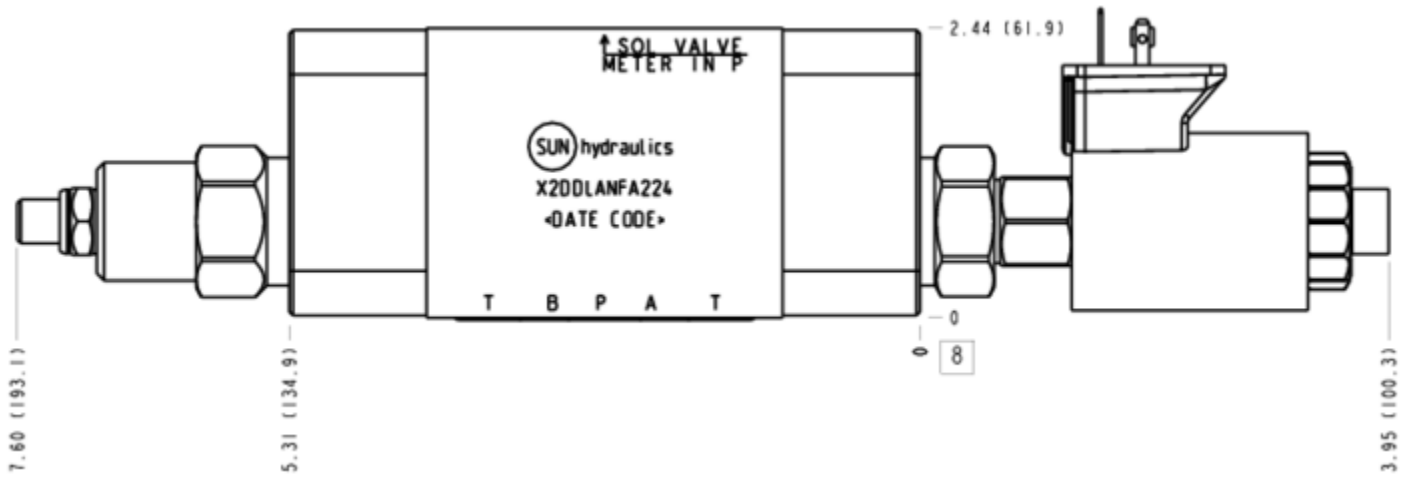
### FACE 6



### FACE 7



### FACE 8



### FACE 10

