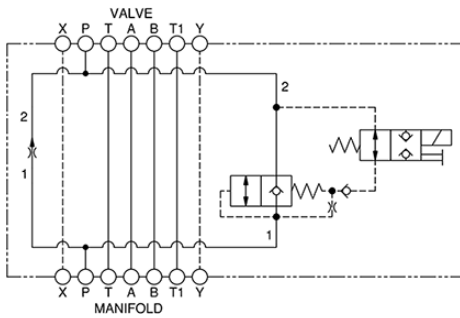
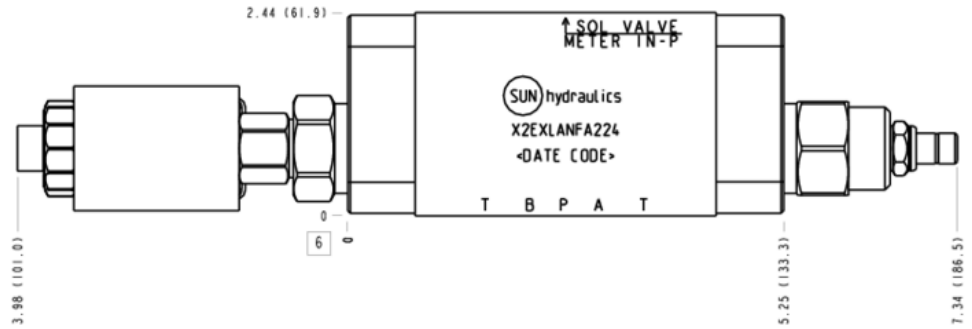


Meter In P Normally Closed



Meter In P Normally Open



This assembly consists of a fixed-orifice, pressure-compensated flow control valve which provides precise flow regulation for meter-in or meter-out applications where there may be wide pressure fluctuations. The flow setting is specified by the user and is set at the factory. The rapid or feed rate is selected by a solenoid operated (normally open or closed) 2-way, 2-position valve.

TECHNICAL DATA NOTE: DATA MAY VARY BY CONFIGURATION. SEE CONFIGURATION SECTION.

Body Type	Sandwich
Interface	ISO 05 - X&Y
Body Features	Meter in P
Control Flow Range	0 - 12 gpm
Seal Plate Included (see notes)	No
Stack Height	2.49 in.

- NOTES:**
- Stack height value in technical data table includes seal retainer plate.
 - This installation requires a seal retainer plate and seal kit which are purchased separately. See "Related Accessories" section.
 - For detailed information regarding the cartridges contained in this assembly, click on the models codes shown in the Included Components tab.
 - **Important:** Carefully consider the maximum system pressure. The pressure rating of the manifold is dependent on the manifold material, with the port type/size a secondary consideration. Manifolds constructed of aluminum are not rated for pressures higher than 3000 psi (210 bar), regardless of the port type/size specified.

CONFIGURATION OPTIONS

Model Code Example: X2EXLANFA224

CONTROL	(L) SETTING RANGE	(A) SEAL MATERIAL	(N)
L Tuning Adjustment	A Replaceable Orifice .1 - 12 gpm (0,4 - 45 L/min.)	N Buna-N	
X Not Adjustable	B Permanent Orifice .1 - 12 gpm (0,4 - 45 L/min.)	V Viton	
	I Incomplete (no orifice) 17 gpm (64 L/min.)		

INCLUDED COMPONENTS

Part	Description	Quantity
DFDA8DN	Cartridge	1
DTAFMHN224	Cartridge	1
FXDALAN	Cartridge - Primary	1