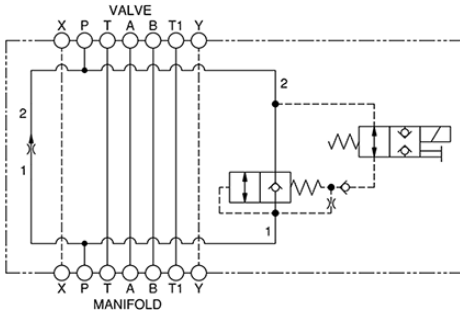


Meter In P Normally Closed



Meter In P Normally Open

TECHNICAL DATA NOTE: DATA MAY VARY BY CONFIGURATION. SEE CONFIGURATION SECTION.

	ISO 05 - X&Y
	120 L/min.
Stack Height	63 mm
()	
	0 - 12 gpm
	P

OPTION SELECTION EXAMPLE: X2EXXANF

(X)

(A)

(N)

X	A	.1 - 12 gpm (0,4 - 45 L/min.)	N
L	B	.1 - 12 gpm (0,4 - 45 L/min.)	V
	I	() 17 gpm (64 L/min.)	

TECHNICAL FEATURES

- FLeX