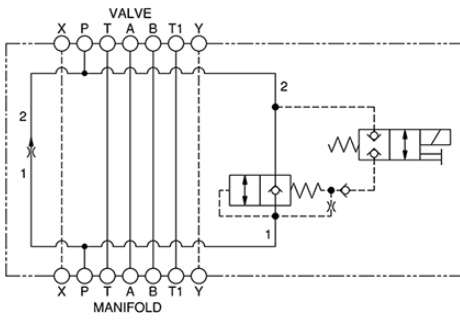


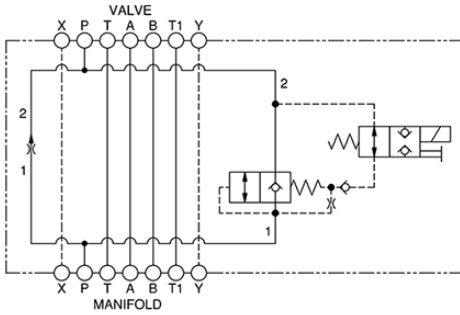


**TECHNICAL DATA**

	ISO 05 - X&Y
( )	
	0 - 12 gpm
	P



Meter In P Normally Closed



Meter In P Normally Open

**CONFIGURATION**

<b>X</b>	
<b>A</b>	.1 - 12 gpm (0,4 - 45 L/min.)
<b>N</b>	
<b>F</b>	Solenoid Designation 740 Coil-Normally Open (with FXDA primary cartridge, )
<b>A</b>	Port and Material Designation A Aluminum

**CONFIGURATION OPTIONS**

Model Code Example: X2EXXANFA

(X)

(A)

(N)

<b>X</b>	<b>A</b>	.1 - 12 gpm (0,4 - 45 L/min.)	<b>N</b>
C	B	.1 - 12 gpm (0,4 - 45 L/min.)	V
L	I	( ) 17 gpm (64 L/min.)	

**INCLUDED COMPONENTS**

Part	Description	Quantity
DFDA8DN	Cartridge	1
DTAFMHN	Cartridge	1
FXDAXAN	Cartridge - Primary	1