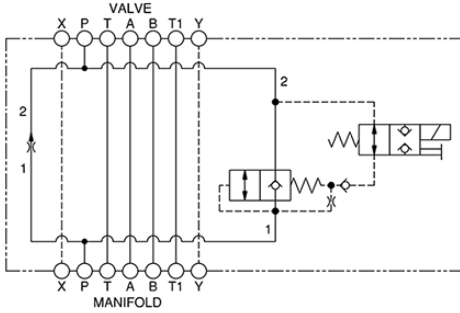


Meter In P Normally Closed



Meter In P Normally Open

TECHNICAL DATA

NOTE:

		DATA
		MAY
	ISO 05 - X&Y	VARY
	120 L/min.	BY
()		
	0 - 12 gpm	
	P	
Stack Height	63 mm	

CONFIGURATION

X	
A	.1 - 12 gpm (0,4 - 45 L/min.)
N	
F	Solenoid Designation 740 Coil-Normally Open (with FXDA primary cartridge,)
A	Port and Material Designation A Aluminum

CONFIGURATION. SEE CONFIGURATION SECTION.

OPTION SELECTION EXAMPLE: X2EXXANFA

(X) (A) (N)

X	A	.1 - 12 gpm (0,4 - 45 L/min.)	N
C	B	.1 - 12 gpm (0,4 - 45 L/min.)	V
L	I	() 17 gpm (64 L/min.)	

INCLUDED COMPONENTS

Part	Description	Quantity
DFDA8DN	Cartridge	1
DTAFMHN	Cartridge	1
FXDAXAN	Cartridge - Primary	1

TECHNICAL FEATURES

- FLeX