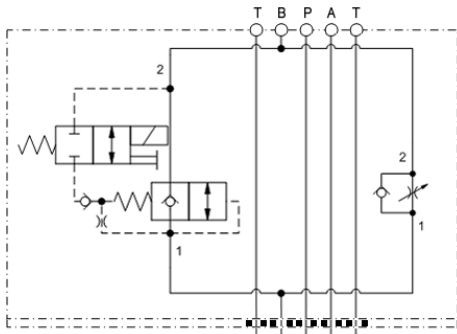
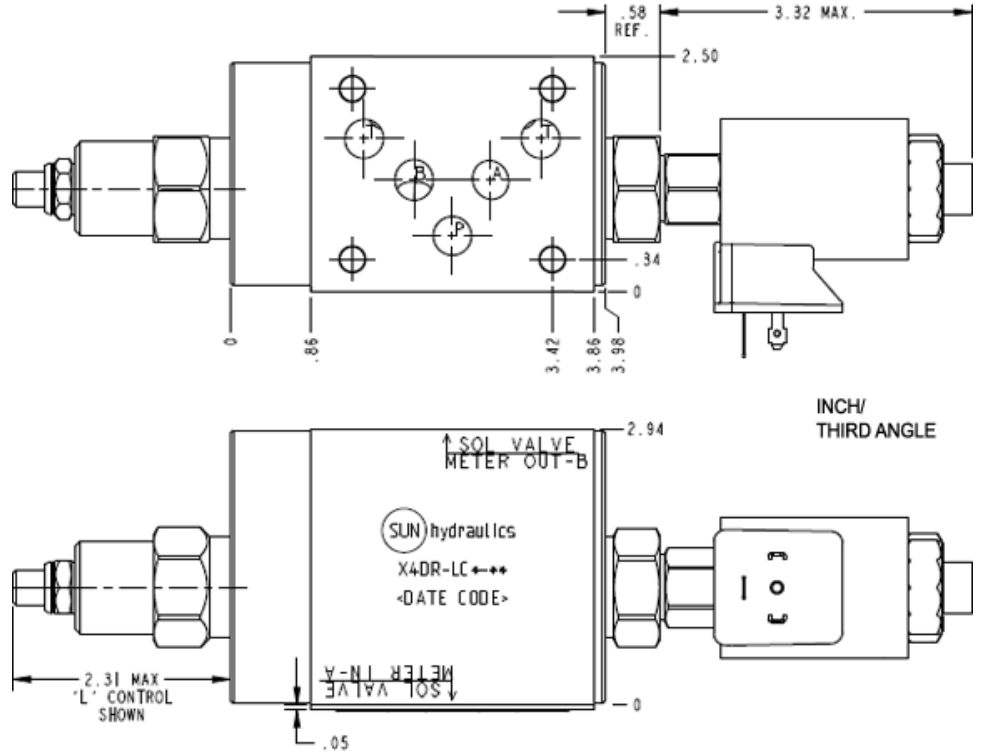


Meter in on A



Meter out on B



INCH/
THIRD ANGLE

TECHNICAL DATA NOTE: DATA MAY VARY BY CONFIGURATION. SEE CONFIGURATION SECTION.

	ISO 05
	120 L/min.
Stack Height	87 mm
()	
	0 - 12 gpm
	Meter in on A or meter out on B

OPTION SELECTION EXAMPLE: X4DRLENF224

(L)

(E)

(N)

L	E	75 psi (5 bar)	N
H	A	4 psi (0,3 bar)	V
O	B	15 psi (1 bar)	
	C	30 psi (2 bar)	
	D	50 psi (3,5 bar)	

TECHNICAL FEATURES

- FLeX