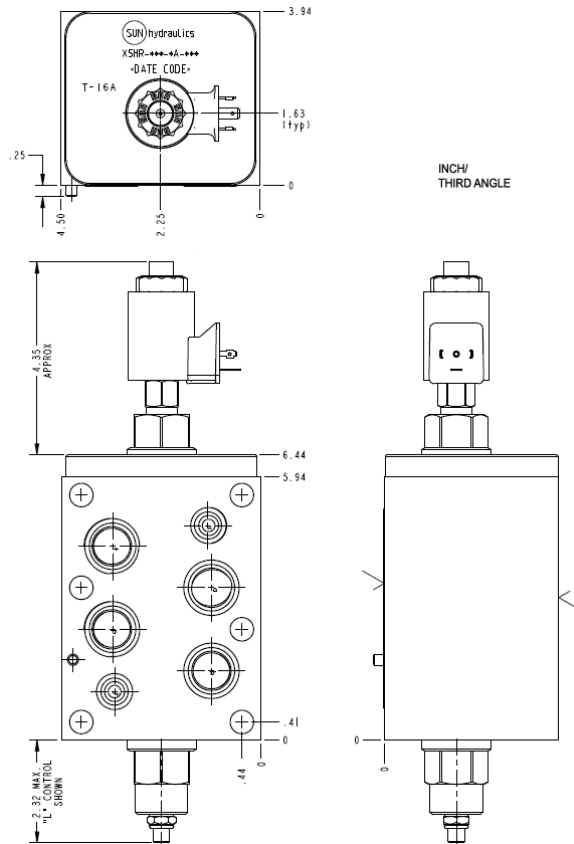


Meter out A Normally Open



This assembly consists of a fully-adjustable, pressure-compensated flow control with reverse-flow check which provides precise flow regulation for meter-in or meter-out applications where there may be wide pressure fluctuations. It is infinitely adjustable from nearly closed up to the maximum flow. An integral high-capacity check valve provides unrestricted flow in the reverse direction. The rapid or feed rate is selected by a solenoid operated (normally open or closed) 2-way, 2-position valve.

TECHNICAL DATA NOTE: DATA MAY VARY BY CONFIGURATION. SEE CONFIGURATION SECTION.

Body Type	Sandwich
Interface	ISO 08
Capacity	30 gpm (.38 inch)
Body Features	Meter out A
Stack Height	3.94 in.

- NOTES:**
- **Important:** Carefully consider the maximum system pressure. The pressure rating of the manifold is dependent on the manifold material, with the port type/size a secondary consideration. Manifolds constructed of aluminum are not rated for pressures higher than 3000 psi (210 bar), regardless of the port type/size specified.
 - For detailed information regarding the cartridges contained in this assembly, click on the models codes shown in the Included Components tab.

OPTION SELECTION EXAMPLE: X5HRLCNFA224

CONTROL		(L) REVERSE FLOW CHECK	(C) SEAL MATERIAL	(N)	
L	Standard Screw Adjustment	C	30 psi (2 bar)	N	Buna-N
H	Calibrated Handknob with Detent Lock	A	4 psi (0,3 bar)	V	Viton
K	Handknob	B	15 psi (1 bar)		
Y	Tri-Grip Handknob	D	50 psi (3,5 bar)		

INCLUDED COMPONENTS

Part	Description	Quantity
500-001-114*	O-Ring	2
500-001-121*	O-Ring	4
811-001-002*	Locating Pin	1
DFEA8DN	Cartridge	1
DTAFMHN224	Cartridge	1
NCFBLCN	Cartridge - Primary	1

TECHNICAL FEATURES

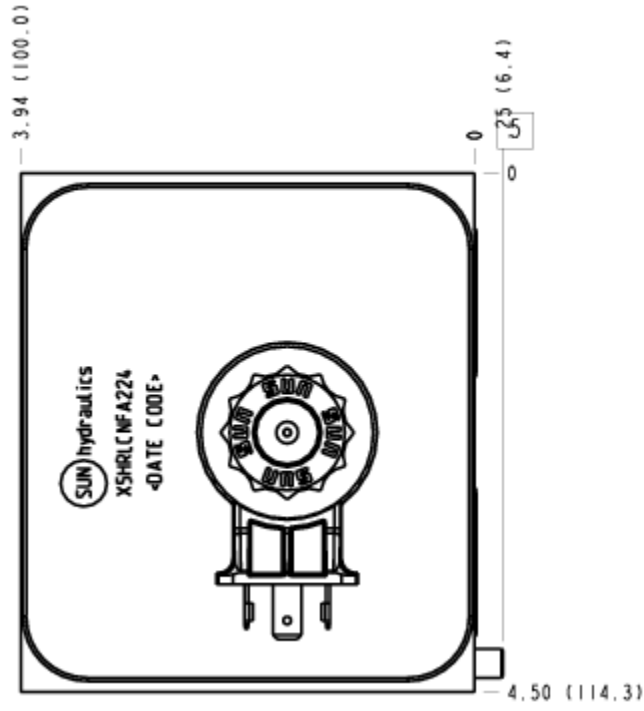
- Now available with FLeX Series solenoid valves. See CONFIGURATION section, SOLENOID DESIGNATION to specify.

MANIFOLD FACES

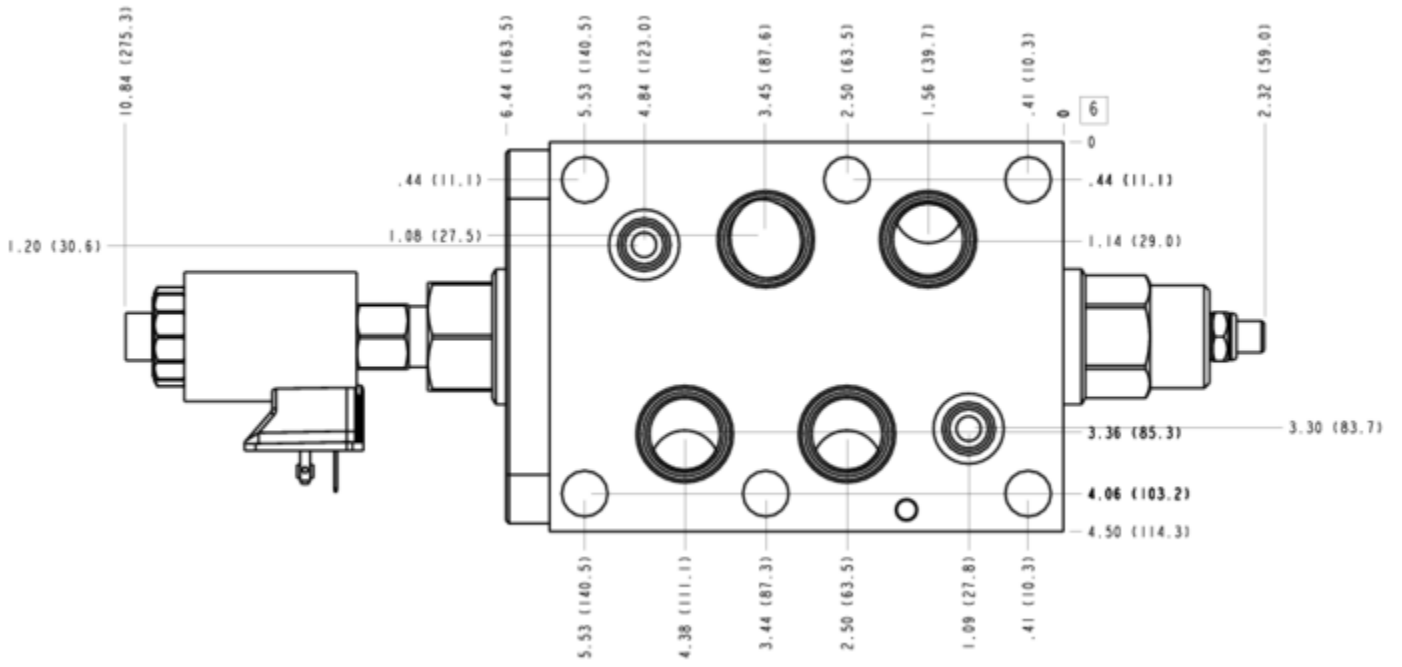
FACE GRID

5	6	7	8
---	---	---	---

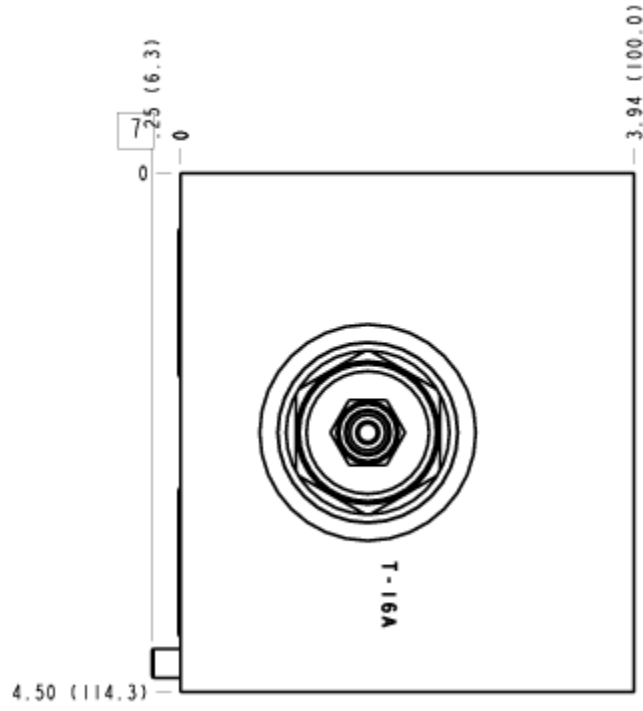
FACE 5



FACE 6



FACE 7



FACE 8

