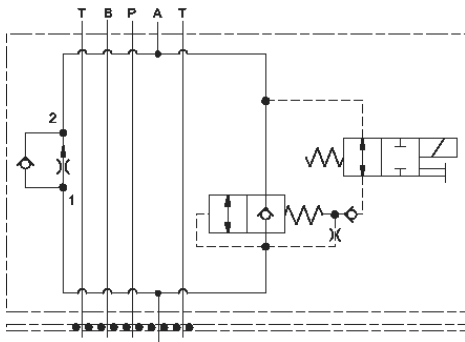
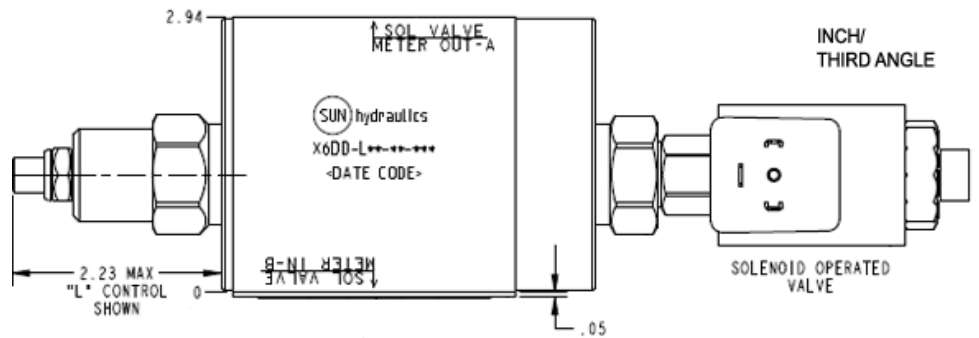
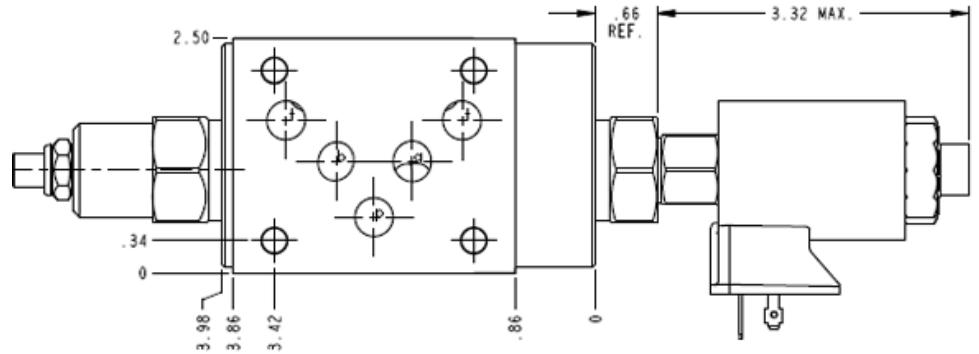


Meter in B Normally Open



Meter out A Normally Open



**TECHNICAL DATA** NOTE: DATA MAY VARY BY CONFIGURATION. SEE CONFIGURATION SECTION.

	ISO 05 - 50mm
	120 L/min.
Stack Height	76 mm
( )	
	0 - 12 gpm
	Meter in on B or meter out on A

**OPTION SELECTION EXAMPLE: X6DDLANFA224**

(L)

(A)

(N)

<b>L</b>	<b>A</b>	<b>N</b>
H	B	V
	.2 - 12 gpm (0,8 - 45 L/min.)	
	.2 - 3 gpm (0,8 - 11 L/min.)	

**INCLUDED COMPONENTS**

Part	Description	Quantity
500-001-014*	O-Ring	5
700-001*	Seal Plate	1
DFDA8DN	Cartridge	1
DTAFMHN224	Cartridge	1
FDCBLAN	Cartridge - Primary	1

**TECHNICAL FEATURES**

- FLeX