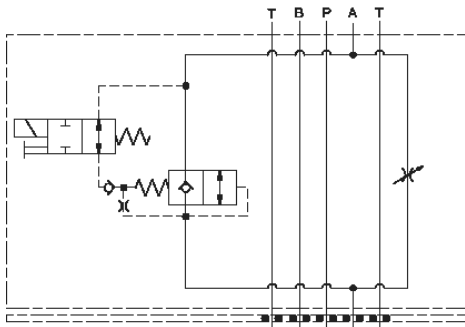
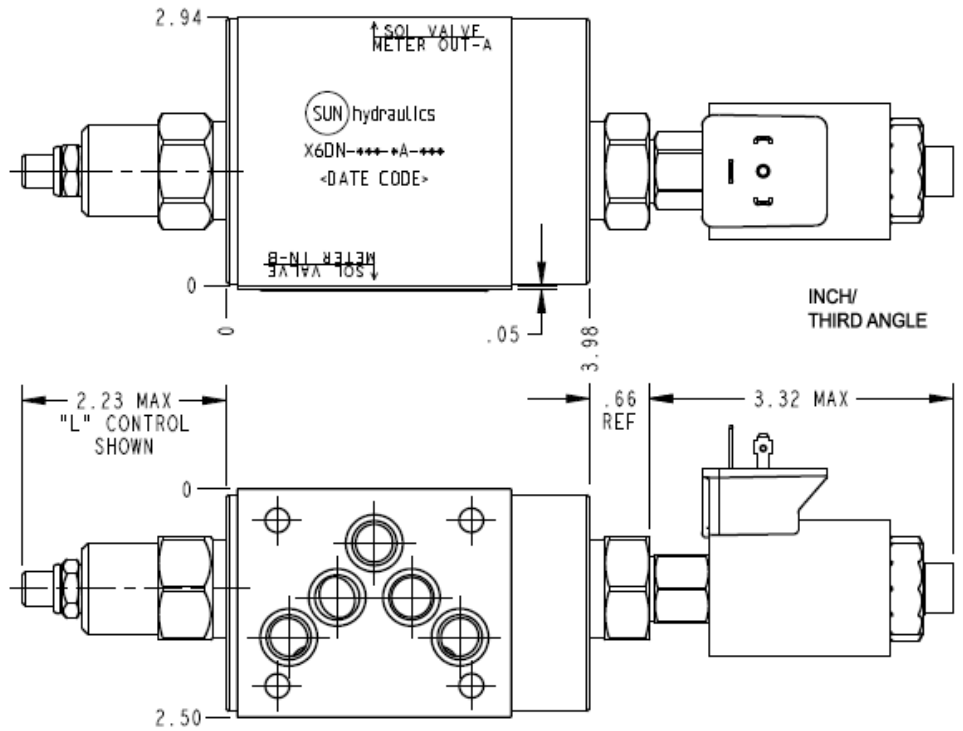


Meter in B Normally Open



Meter out A Normally Open



TECHNICAL DATA NOTE: DATA MAY VARY BY CONFIGURATION. SEE CONFIGURATION SECTION.

	ISO 05
Stack Height	76 mm
()	
	Meter in on A or meter out on B

CONFIGURATION OPTIONS

Model Code Example: X6DNLANF224

(L)

(A)

(N)

L	A .25 in. (6,4 mm)	N
H	B .12 in. (3,0 mm)	V
O		