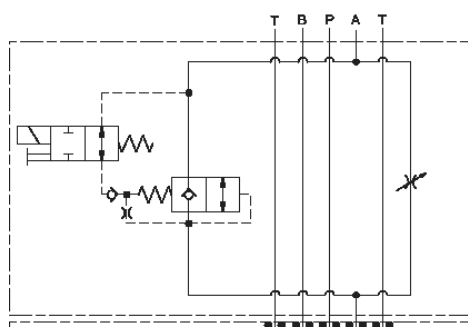
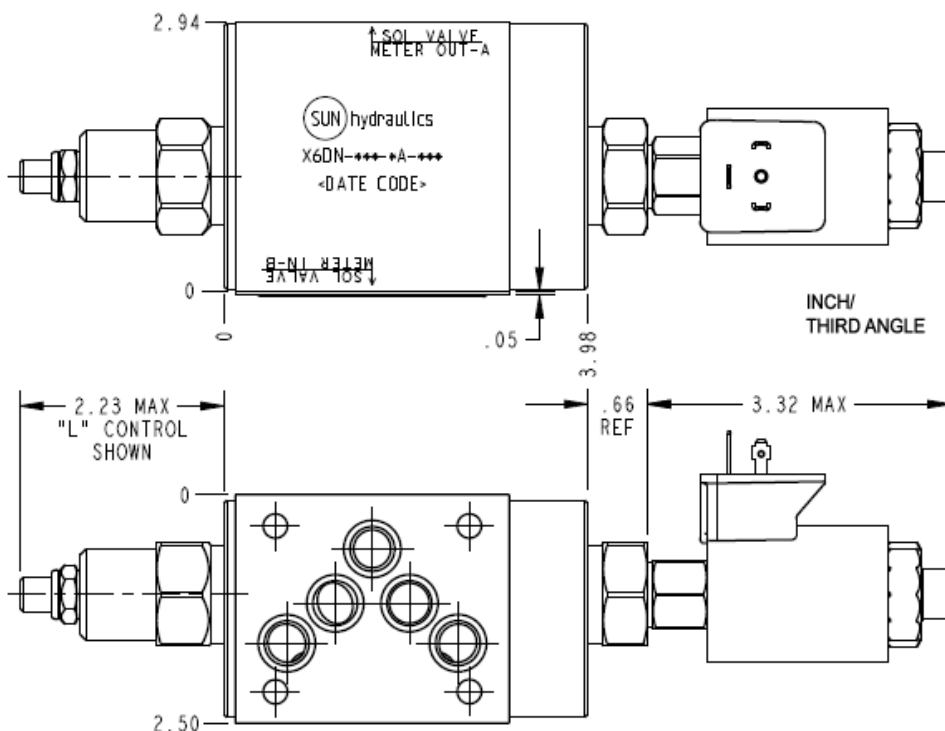


Meter in B Normally Open



Meter out A Normally Open



CONFIGURATION

L 控制方式	标准螺钉调节
A 最大节流孔直径	.25 in. (6,4 mm)
N 密封材料	丁腈橡胶
F Solenoid Designation	740 Coil-Normally Open (with NFDC primary cartridge, 全程可调 针阀)
Port and Material Designation	
Coil	

TECHNICAL DATA

阀块类型	叠加式	NOTE: DATA MAY VARY BY
表面	ISO 05	
通流能力	45 L/min. (6,4 mm)	
Stack Height	76 mm	
带密封板(见说明)	是	
阀块特性	Meter in on A or meter out on B	

- 注:**
- Important:** Carefully consider the maximum system pressure. The pressure rating of the manifold is dependent on the manifold material, with the port type/size a secondary consideration. Manifolds constructed of aluminum are not rated for pressures higher than 3000 psi (210 bar), regardless of the port type/size specified.
 - For detailed information regarding the cartridges contained in this assembly, click on the models codes shown in the Included Components tab.

OPTION SELECTION EXAMPLE: X6DNLANF224

控制方式	(L) 最大节流孔直径	(A) 密封材料	(N)
L 标准螺钉调节	A .25 in. (6,4 mm)	N 丁腈橡胶	
H 刻度旋钮，带止动锁	B .12 in. (3,0 mm)	V 氟橡胶	
Y 三爪旋钮			

TECHNICAL FEATURES

- 现在可适用于FLeX系列电磁阀。见配置部分，电磁选项中。