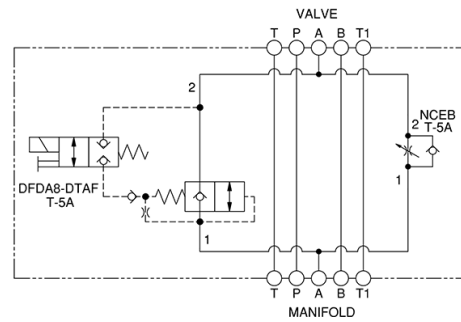
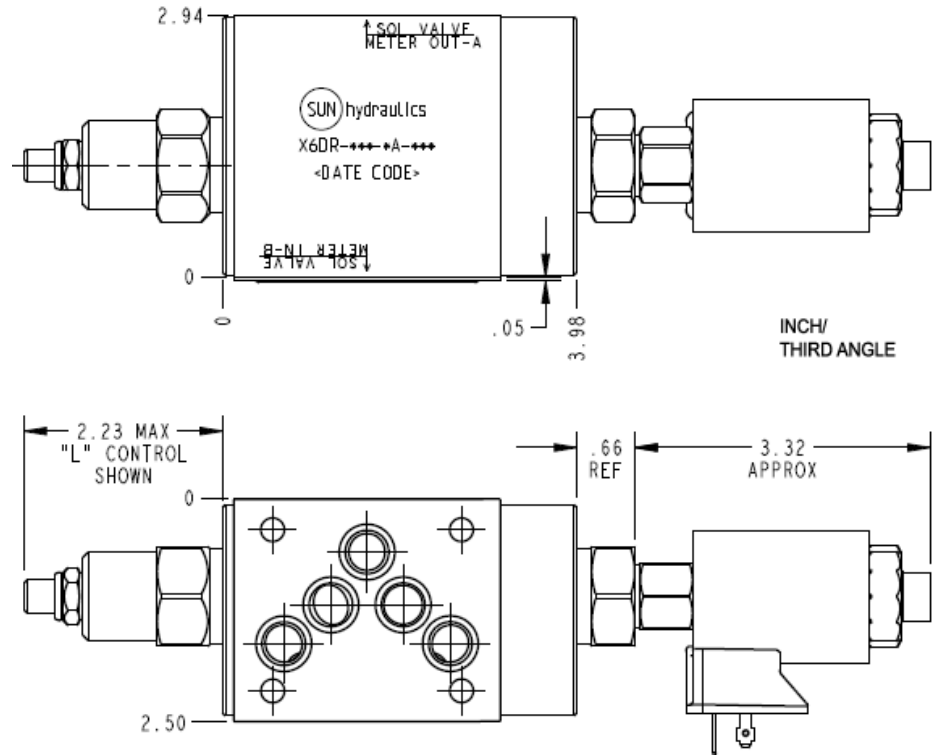


Meter In B Normally Closed



Meter Out A Normally Closed



This assembly consists of a needle valve which is a fully-adjustable orifice used to regulate flow. It is infinitely adjustable from fully closed up to the maximum orifice diameter. It is not pressure-compensated. It may be used as flow controls or as shutoff valves. The rapid or feed rate is selected by a solenoid operated (normally open or closed) 2-way, 2-position valve.

TECHNICAL DATA NOTE: DATA MAY VARY BY CONFIGURATION. SEE CONFIGURATION SECTION.

Body Type	Sandwich
Interface	ISO 05
Body Features	Meter in on B or meter out on A
Control Flow Range	0 - 12 gpm
Seal Plate Included (see notes)	Yes
Stack Height	2.99 in.

- NOTES:**
- Stack height value in technical data table includes seal retainer plate.
 - For detailed information regarding the cartridges contained in this assembly, click on the models codes shown in the Included Components tab.
 - **Important:** Carefully consider the maximum system pressure. The pressure rating of the manifold is dependent on the manifold material, with the port type/size a secondary consideration. Manifolds constructed of aluminum are not rated for pressures higher than 3000 psi (210 bar), regardless of the port type/size specified.

CONFIGURATION OPTIONS

Model Code Example: X6DRLCNFA224

CONTROL		(L) REVERSE FLOW CHECK	(C) SEAL MATERIAL	(N)	
L	Standard Screw Adjustment	C	30 psi (2 bar)	N	Buna-N
H	Calibrated Handknob with Detent Lock	A	4 psi (0,3 bar)	V	Viton
K	Handknob	B	15 psi (1 bar)		
Y	Tri-Grip Handknob	D	50 psi (3,5 bar)		

INCLUDED COMPONENTS

Part	Description	Quantity
500-001-014*	O-Ring	5
700-001*	Seal Plate	1
DFDA8DN	Cartridge	1
DTAFMHN224	Cartridge	1
NCEBLCN	Cartridge - Primary	1