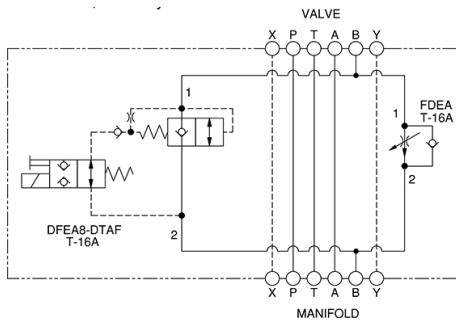


Meter In B Normally Closed



Meter In B Normally Open

This assembly consists of a fully-adjustable, pressure-compensated flow control with reverse-flow check which provides precise flow regulation for meter-in or meter-out applications where there may be wide pressure fluctuations. It is infinitely adjustable from nearly closed up to the maximum flow. An integral high-capacity check valve provides unrestricted flow in the reverse direction. The rapid or feed rate is selected by a solenoid operated (normally open or closed) 2-way, 2-position valve.

TECHNICAL DATA NOTE: DATA MAY VARY BY CONFIGURATION. SEE CONFIGURATION SECTION.

Body Type	Sandwich
Interface	ISO 07
Body Features	Meter in B
Control Flow Range	0 - 25 gpm
Seal Plate Included (see notes)	Yes
Stack Height	3.52 in.

- NOTES:**
- Stack height value in technical data table includes seal retainer plate.
 - For detailed information regarding the cartridges contained in this assembly, click on the models codes shown in the Included Components tab.
 - **Important:** Carefully consider the maximum system pressure. The pressure rating of the manifold is dependent on the manifold material, with the port type/size a secondary consideration. Manifolds constructed of aluminum are not rated for pressures higher than 3000 psi (210 bar), regardless of the port type/size specified.

CONFIGURATION OPTIONS

Model Code Example: X6FDLANFA

CONTROL	(L) ADJUSTMENT RANGE	(A) SEAL MATERIAL	(N)
L Standard Screw Adjustment	A .2 - 25 gpm (0,8 - 95 L/min.)	N Buna-N	
H Calibrated Handknob with Detent Lock	B .2 - 16 gpm (0,8 - 60 L/min.)	V Viton	
K Handknob			
Y Tri-Grip Handknob			

INCLUDED COMPONENTS

Part	Description	Quantity
500-001-111*	O-Ring	2
500-001-118*	O-Ring	4
700-006*	Seal Plate	1
811-001-006*	Pin	2
DFA8DN	Cartridge	1
DTAFMHN	Cartridge	1
FDEALAN	Cartridge - Primary	1