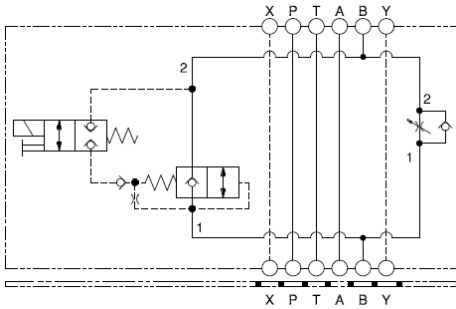


Meter Out B Normally Open



Meter Out B Normally Closed

This assembly consists of a fully-adjustable needle valve with reverse-flow check which provides precise flow regulation for meter-in or meter-out applications. It is infinitely adjustable from nearly closed up to the maximum flow. An integral high-capacity check valve provides unrestricted flow in the reverse direction. The rapid or feed rate is selected by a solenoid operated (normally open or closed) 2-way, 2-position valve.

**TECHNICAL DATA** NOTE: DATA MAY VARY BY CONFIGURATION. SEE CONFIGURATION SECTION.

Body Type	Sandwich
Interface	ISO 07
Body Features	Meter out B
Control Flow Range	0 - 30 gpm
Seal Plate Included (see notes)	Yes
Stack Height	3.52 in.

- NOTES:**
- Stack height value in technical data table includes seal retainer plate.
  - For detailed information regarding the cartridges contained in this assembly, click on the models codes shown in the Included Components tab.
  - **Important:** Carefully consider the maximum system pressure. The pressure rating of the manifold is dependent on the manifold material, with the port type/size a secondary consideration. Manifolds constructed of aluminum are not rated for pressures higher than 3000 psi (210 bar), regardless of the port type/size specified.

**CONFIGURATION OPTIONS**

Model Code Example: X7FRLCNFA

CONTROL	(L)	REVERSE FLOW CHECK	(C)	SEAL MATERIAL	(N)
<b>L</b>	Standard Screw Adjustment	<b>C</b>	30 psi (2 bar)	<b>N</b>	Buna-N
<b>H</b>	Calibrated Handknob with Detent Lock	<b>A</b>	4 psi (0,3 bar)	<b>V</b>	Viton
<b>K</b>	Handknob	<b>B</b>	15 psi (1 bar)		
<b>Y</b>	Tri-Grip Handknob	<b>D</b>	50 psi (3,5 bar)		

**INCLUDED COMPONENTS**

Part	Description	Quantity
500-001-111*	O-Ring	2
500-001-118*	O-Ring	4
700-006*	Seal Plate	1
811-001-006*	Pin	2
DFEA8DN	Cartridge	1
DTAFMHN	Cartridge	1
NCFBLCN	Cartridge - Primary	1