

TECHNICAL DATA

Body Type	Line mount
Capacity	60 L/min.
Mounting Hole Diameter	9,1 mm
Mounting Hole Depth	Through
Mounting Hole Quantity	3

OPTION SELECTION EXAMPLE: XPDPXDNXJ

CONTROL	(X) FLOW RATE	(D) SEAL MATERIAL	(N)
X No Manual Override	D Nominal 20 gpm @ 200 psi (14 bar) differential (80 L/min.)	N Buna-N	
		V Viton	

PRIMARY CARTRIDGE (X)

X X (with FPFK primary cartridge, Pilot-operated, normalmente cerrado, electro-proporcional estrangulación con anti-retorno de caudal inverso)

INCLUDED COMPONENTS

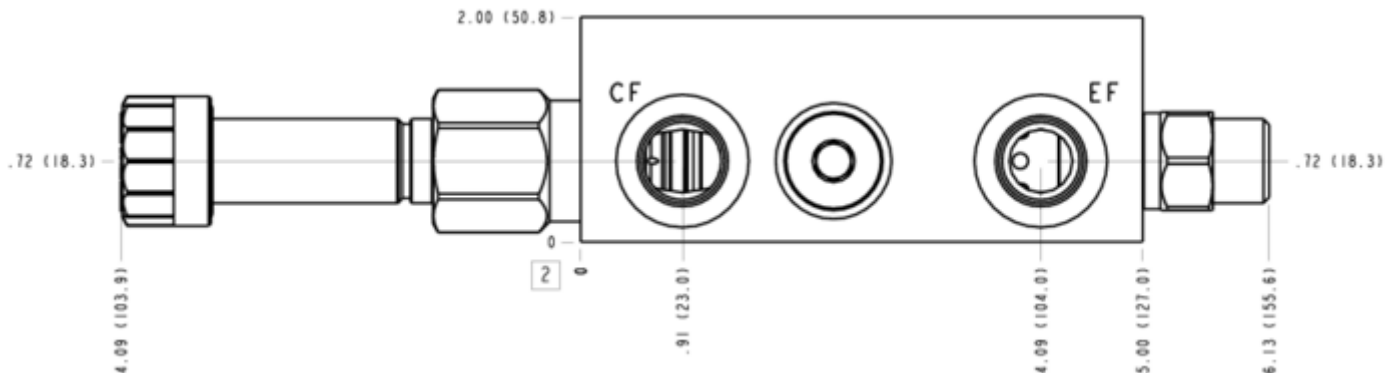
Part	Description	Quantity
A330-006-008*	SAE Plug	1
FPFKXDN	Cartridge - Primary	1
LHDAXFN	Cartridge	1

MANIFOLD FACES

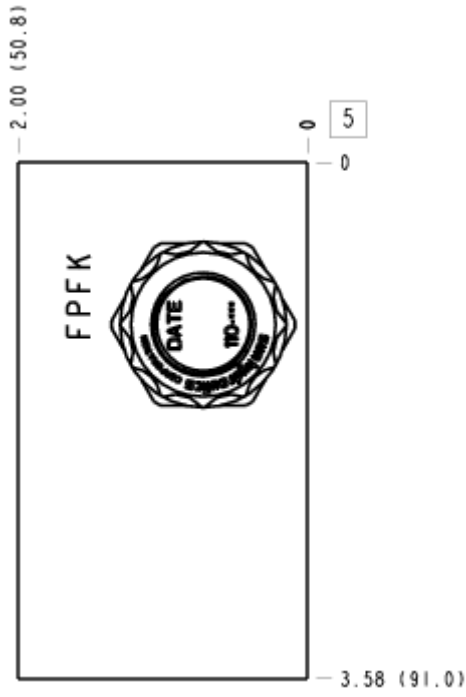
FACE GRID

1	2	3	4
5	6	7	8
9	10	11	12

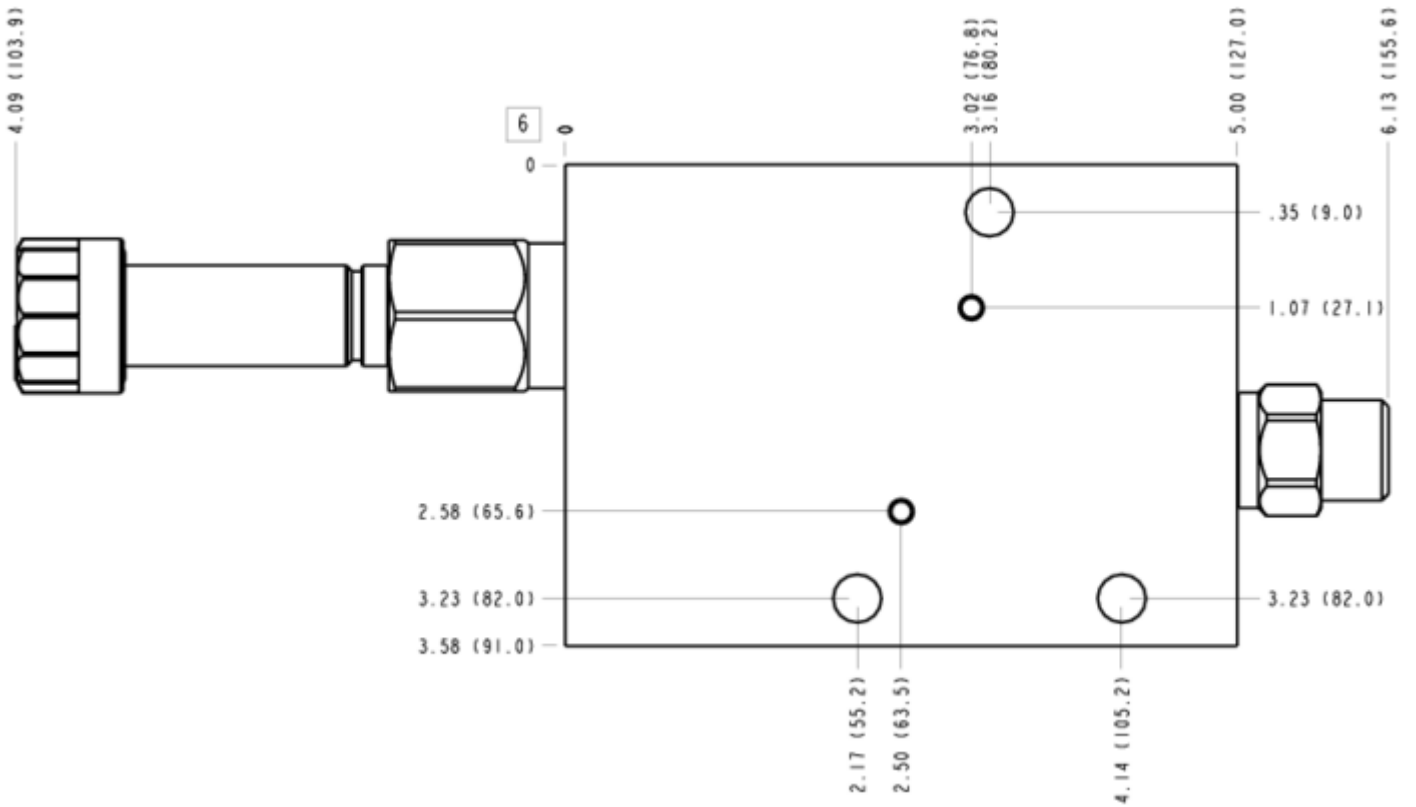
FACE 2



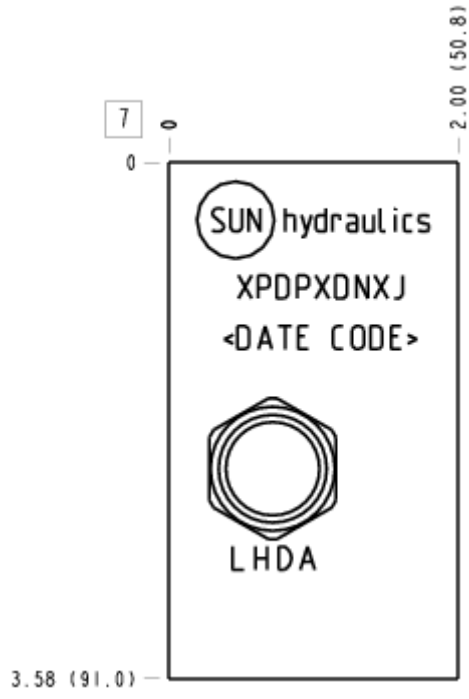
FACE 5



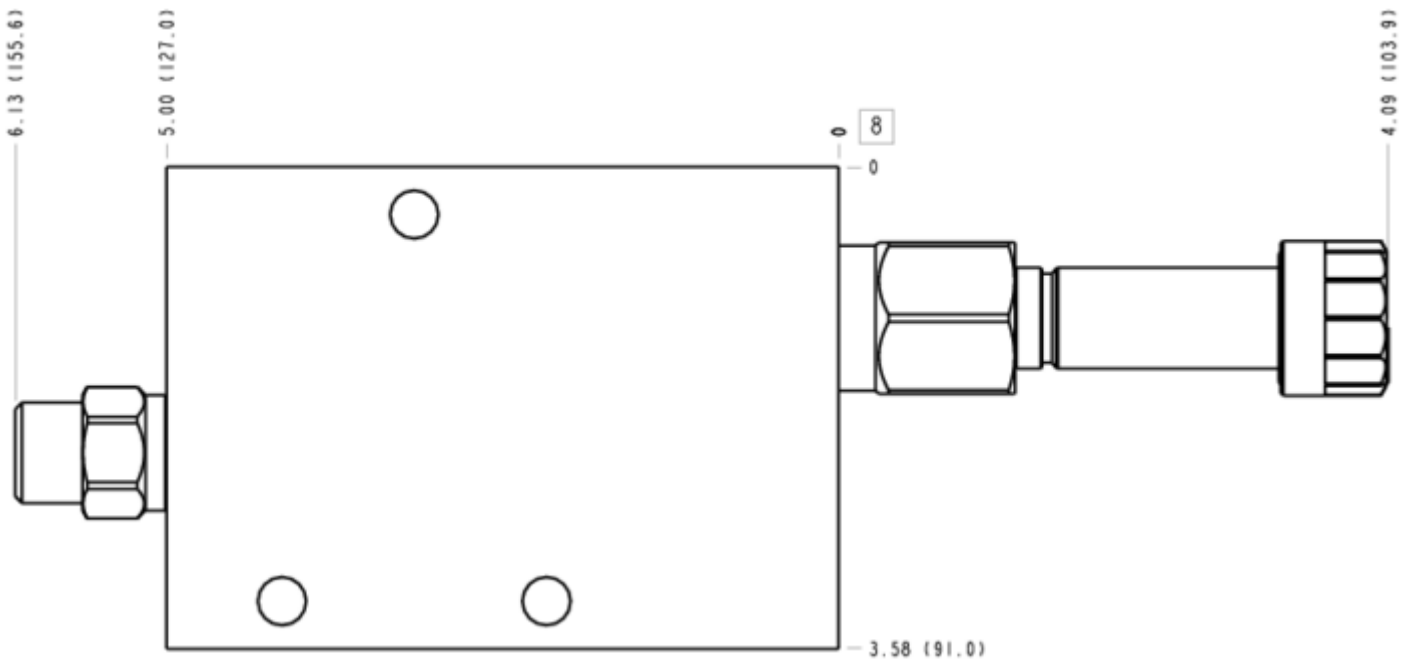
FACE 6



FACE 7



FACE 8



FACE 10

