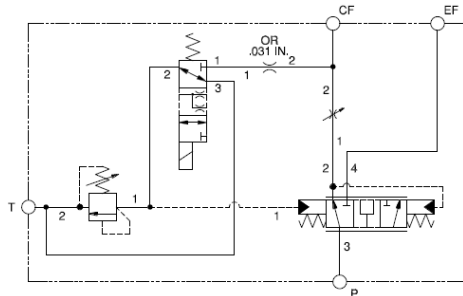
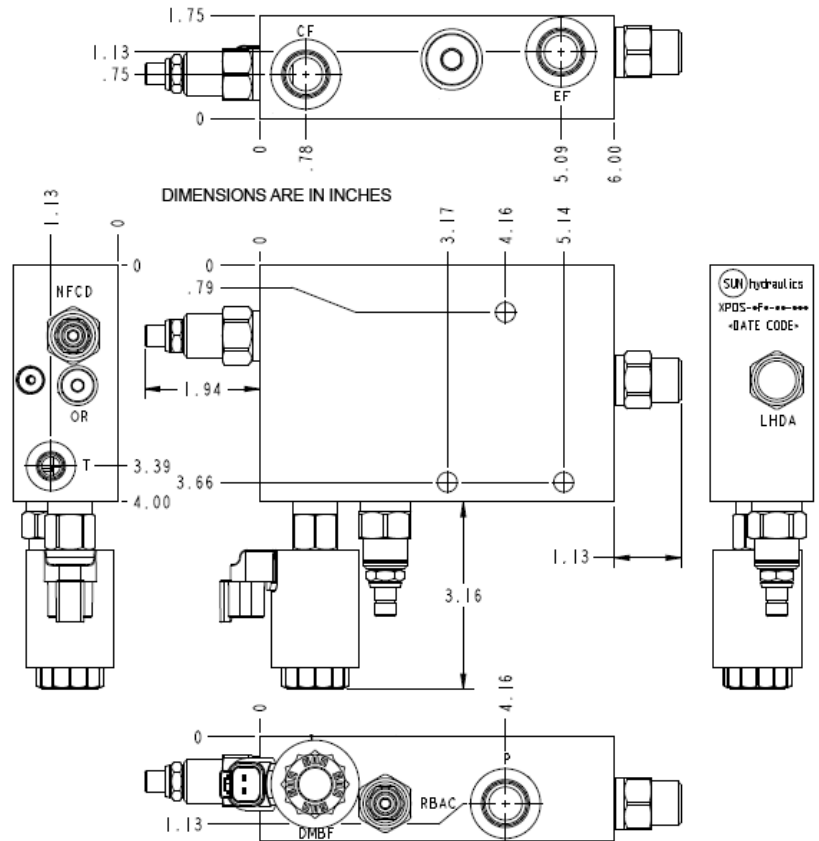


A - Normally Open 1 to 2



N - Normally Open 2 to 3



TECHNICAL DATA

Body Type	Line mount
Capacity	60 L/min.
Mounting Hole Diameter	8.6 mm
Mounting Hole Depth	Through
Mounting Hole Quantity	3

OPTION SELECTION EXAMPLE: XPDSLNNJ

CONTROL	(L) MAXIMUM ORIFICE DIAMETER	(F) SEAL MATERIAL	(N)
L Standard Screw Adjustment	F .33 in. (8,4 mm)	N Buna-N	
		V Viton	

INCLUDED COMPONENTS

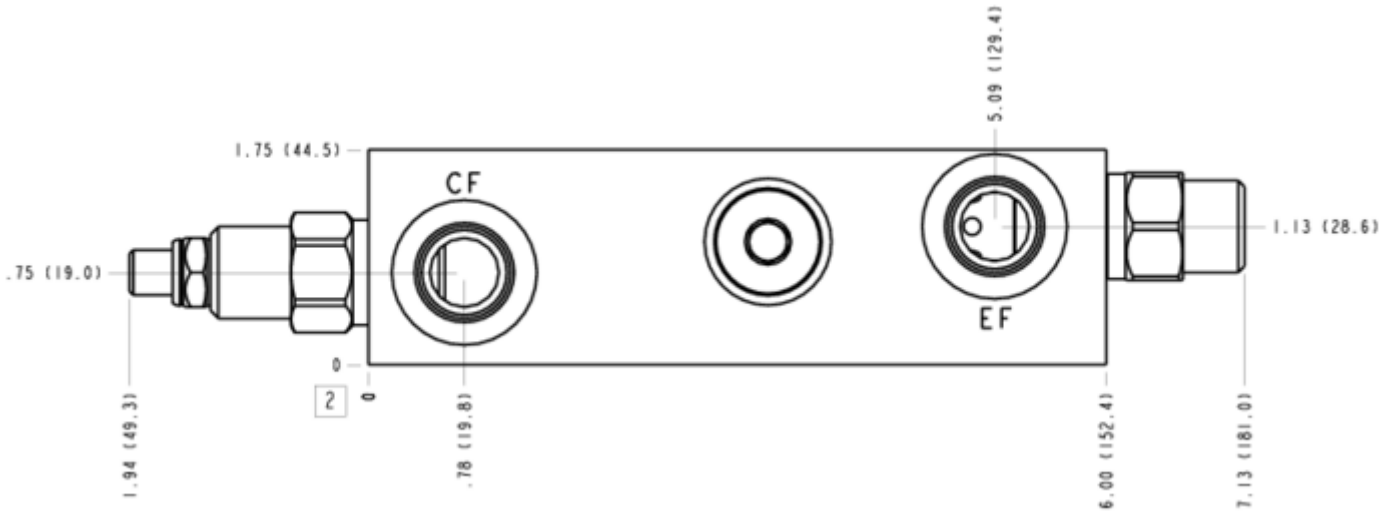
Part	Description	Quantity
280-038-031*	Orifice	1
A330-006-002*	SAE Plug	1
A330-006-004*	SAE Plug	1
A330-006-008*	SAE Plug	1
DMBFXNN	Cartridge	1
LHDAXFN	Cartridge	1
NFCDLFN	Cartridge - Primary	1
RBACLAN	Cartridge	1

MANIFOLD FACES

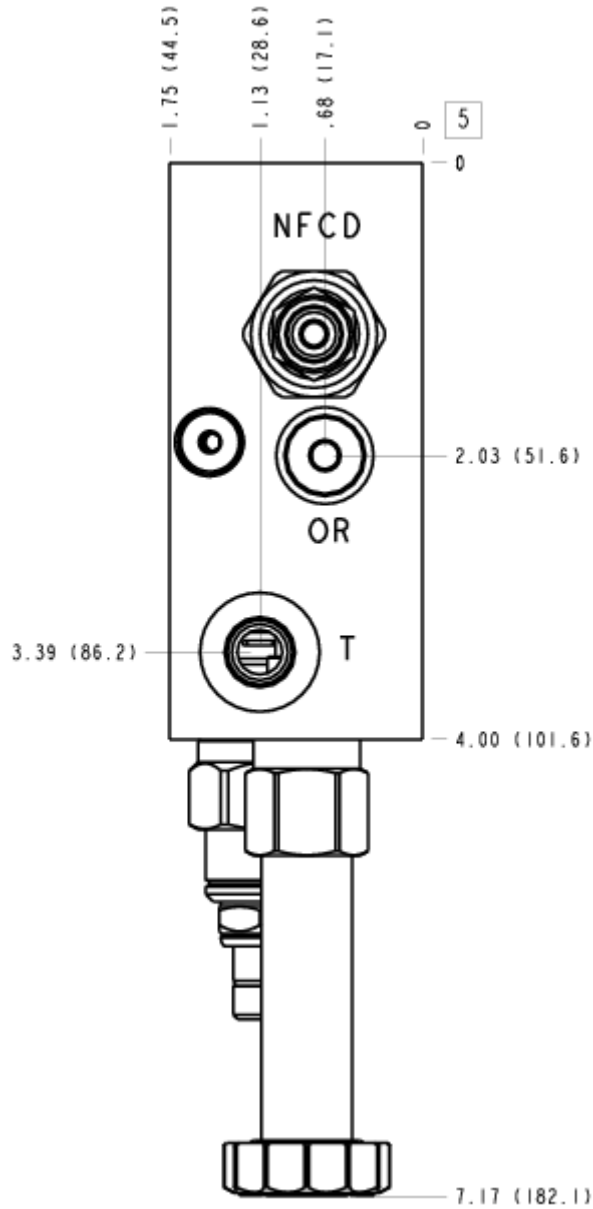
FACE GRID

1	2	3	4
5	6	7	8
9	10	11	12

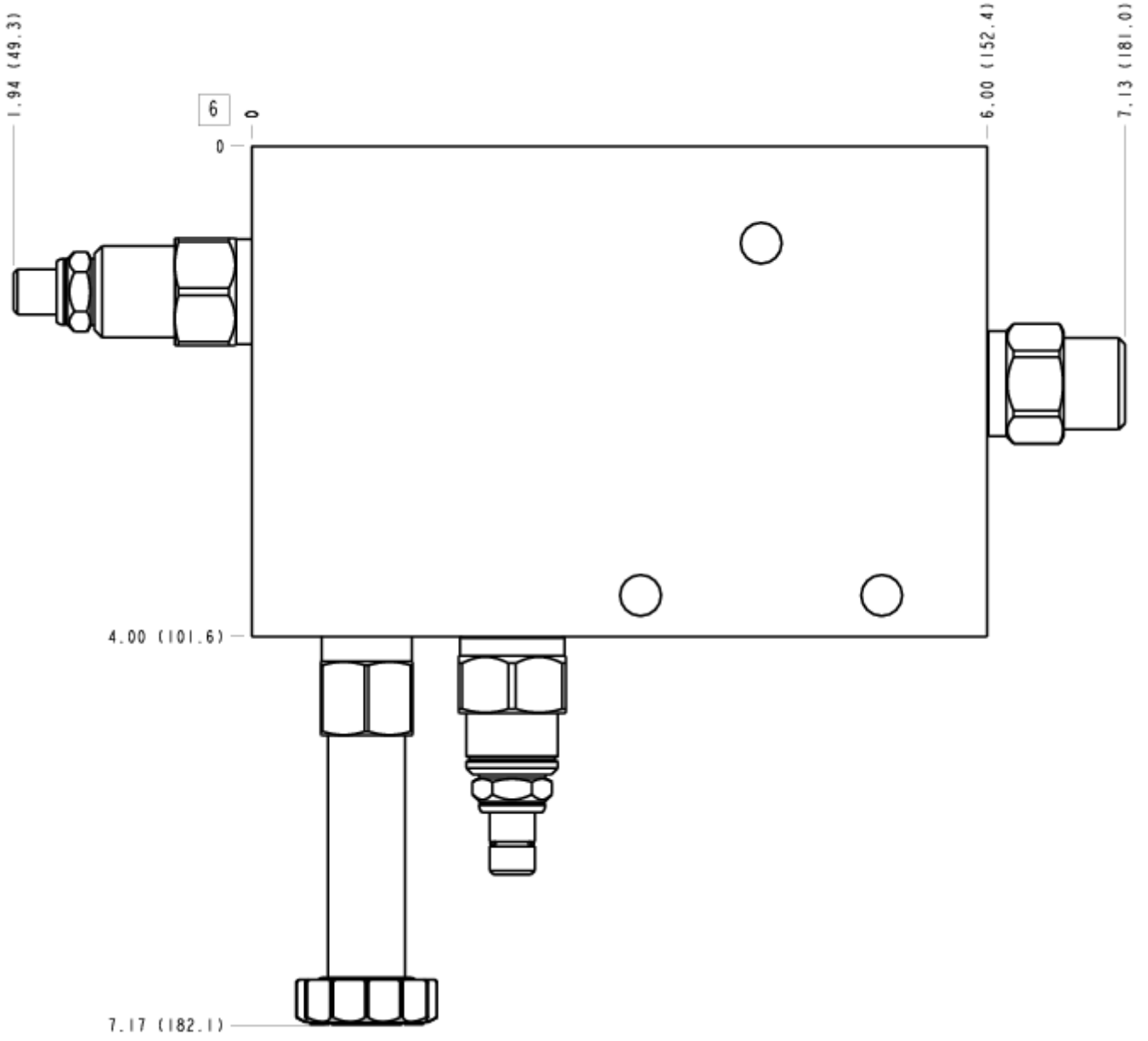
FACE 2



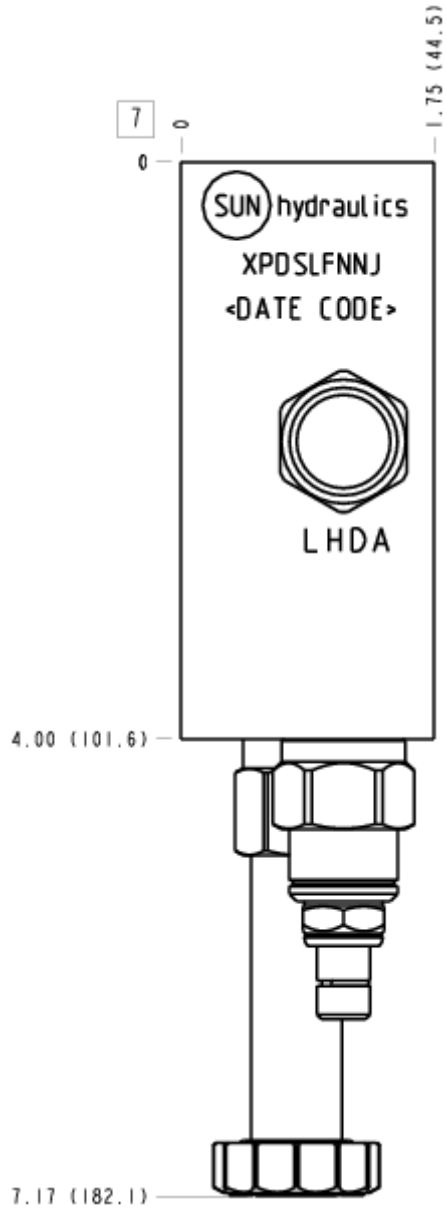
FACE 5



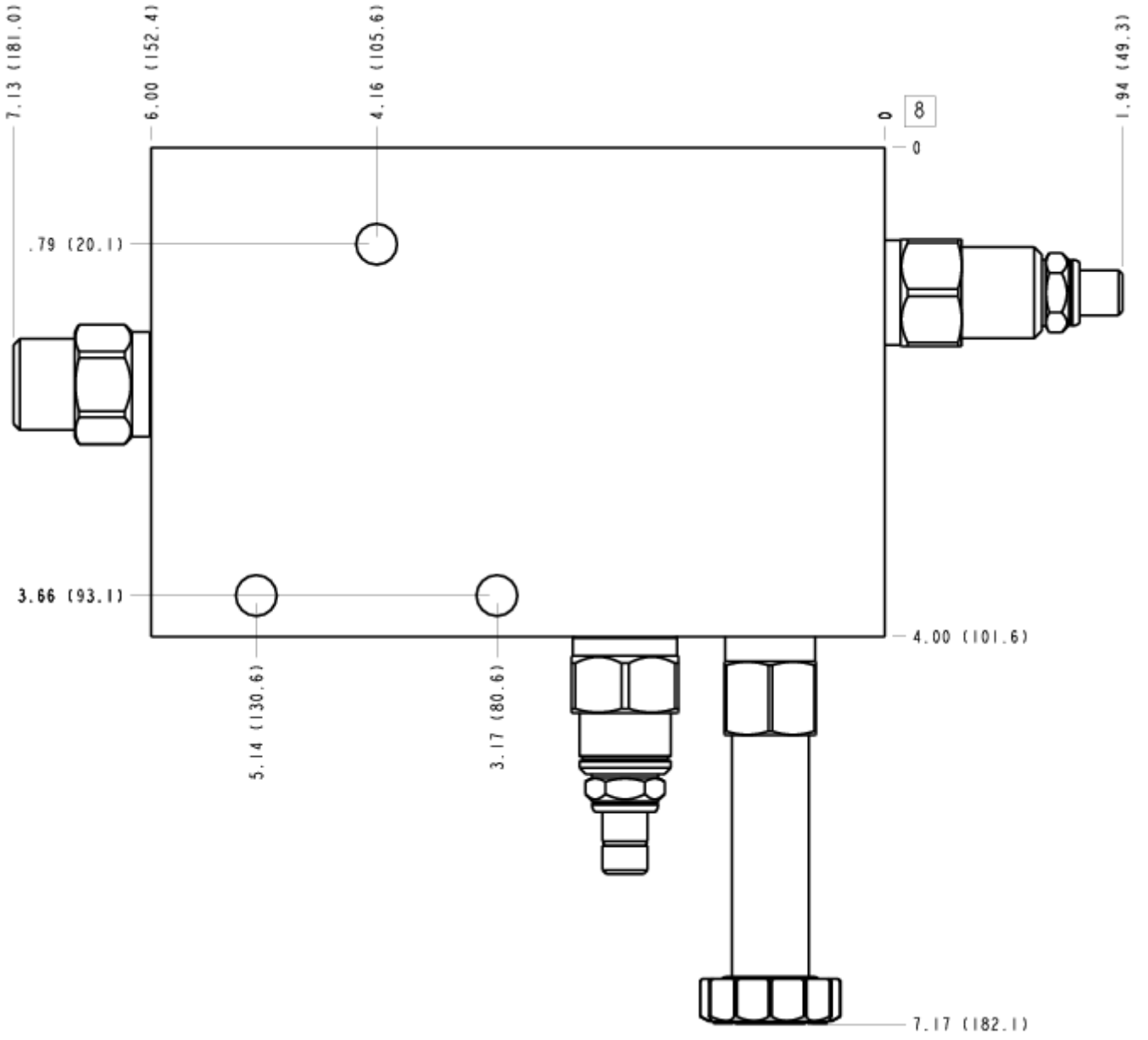
FACE 6



FACE 7



FACE 8



FACE 10

