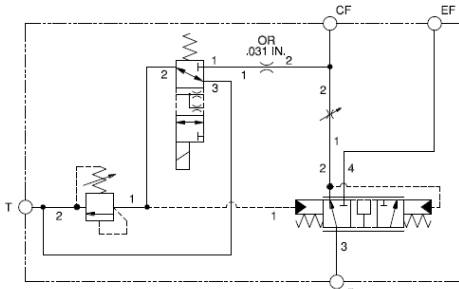
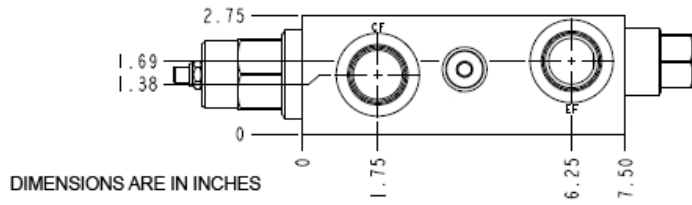


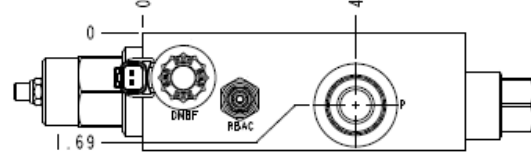
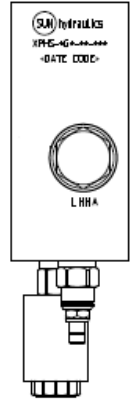
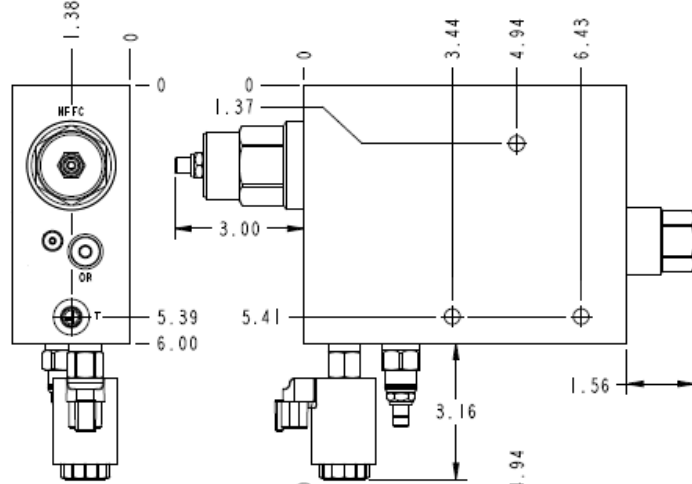
A - Normally Open 1 to 2



N - Normally Open 2 to 3



DIMENSIONS ARE IN INCHES



TECHNICAL DATA NOTE: DATA MAY VARY BY CONFIGURATION. SEE CONFIGURATION SECTION.

	240 L/min.
	9,1 mm
	Through
	3

OPTION SELECTION EXAMPLE: XPHSLGNNM

(L)

(G)

(N)

L	G .56 in. (14.2 mm)	N
----------	----------------------------	----------

V

INCLUDED COMPONENTS

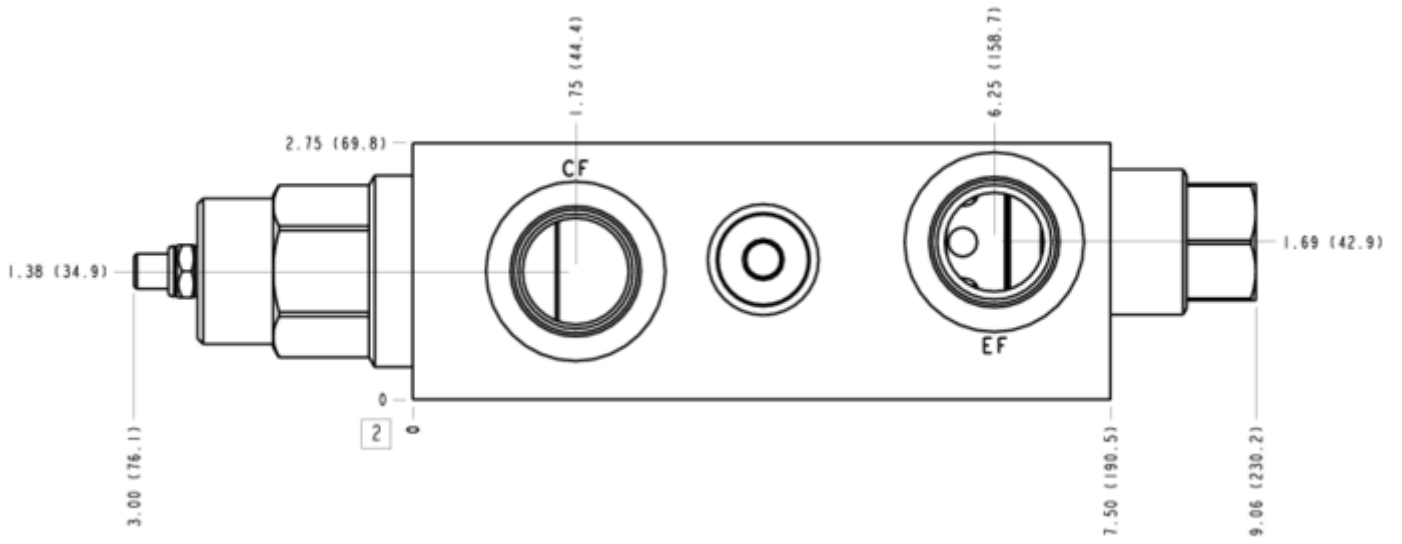
Part	Description	Quantity
280-039-031*	Orifice	1
A330-006-002*	SAE Plug	1
A330-006-006*	SAE Plug	1
A330-006-010*	SAE Plug	1
DMBFXNN	Cartridge	1
LHHAXFN	Cartridge	1
NFFCLGN	Cartridge - Primary	1
RBACLAN	Cartridge	1

MANIFOLD FACES

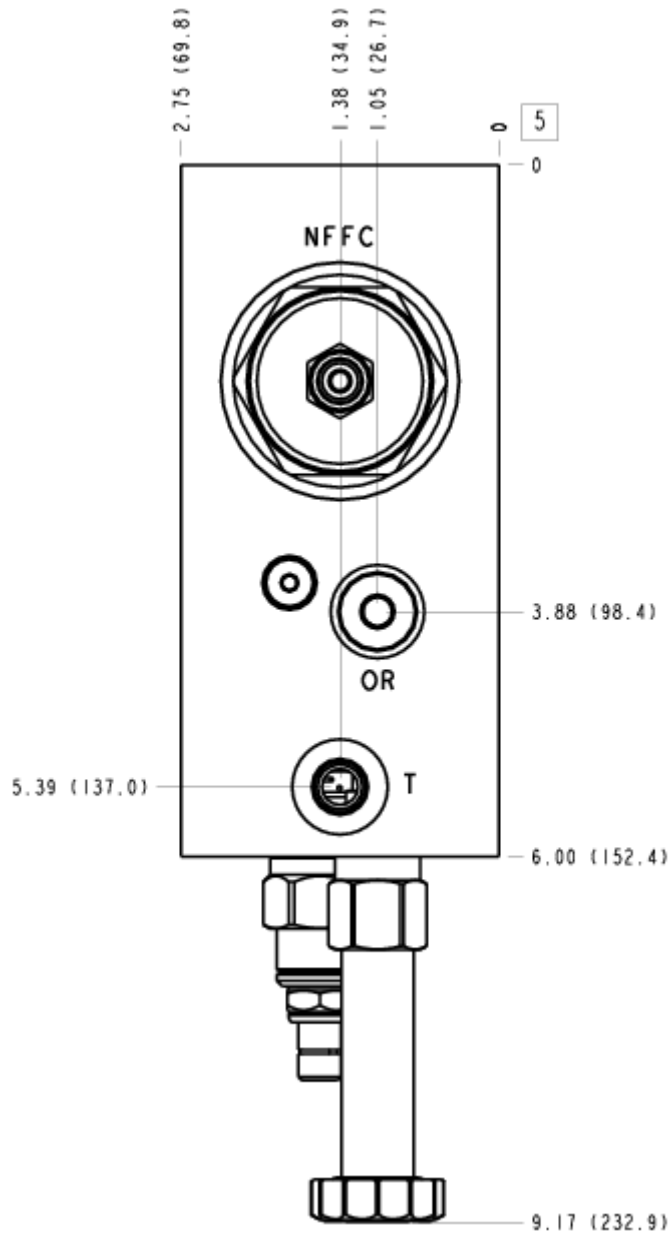
FACE GRID

1	2	3	4
5	6	7	8
9	10	11	12

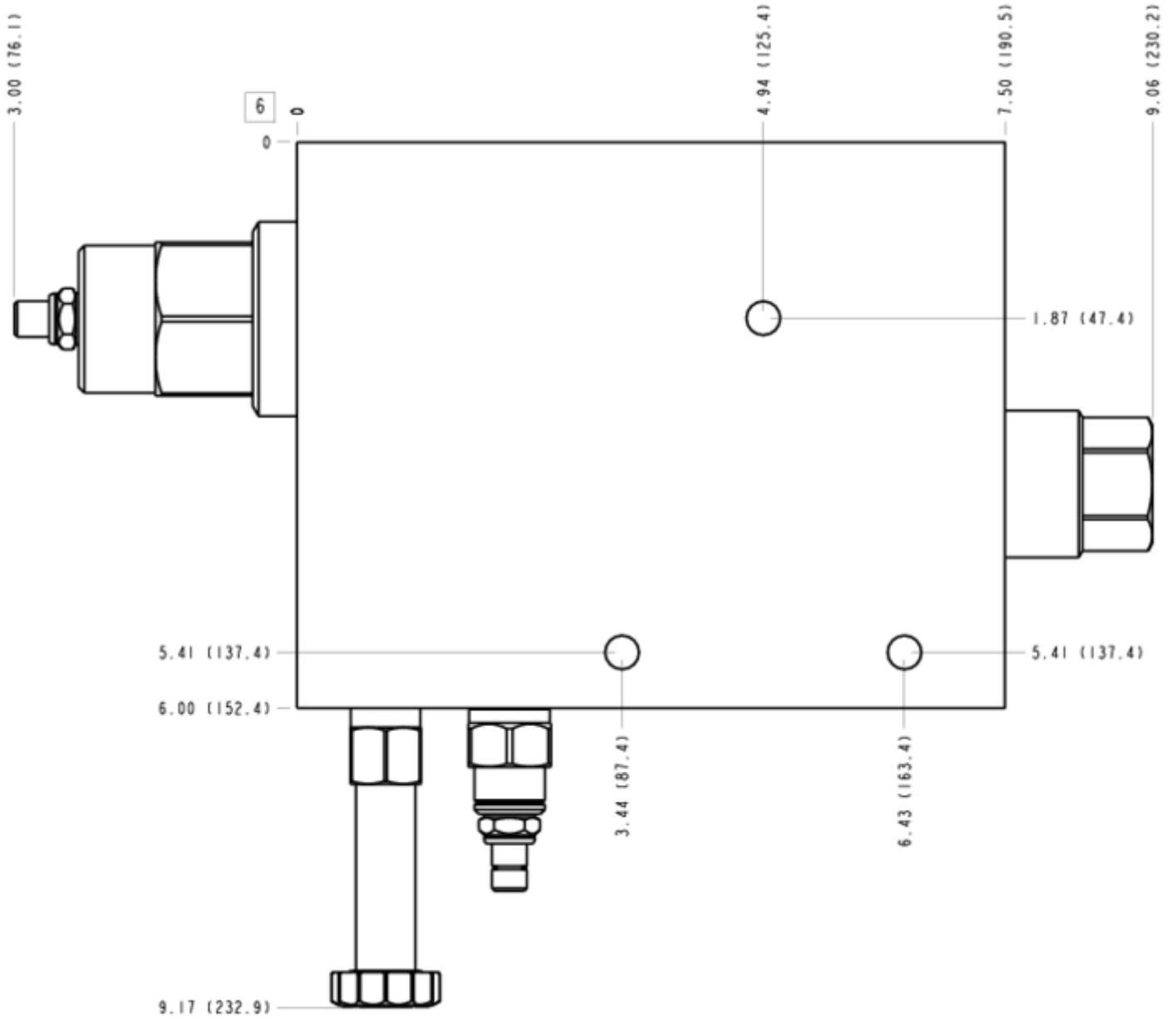
FACE 2



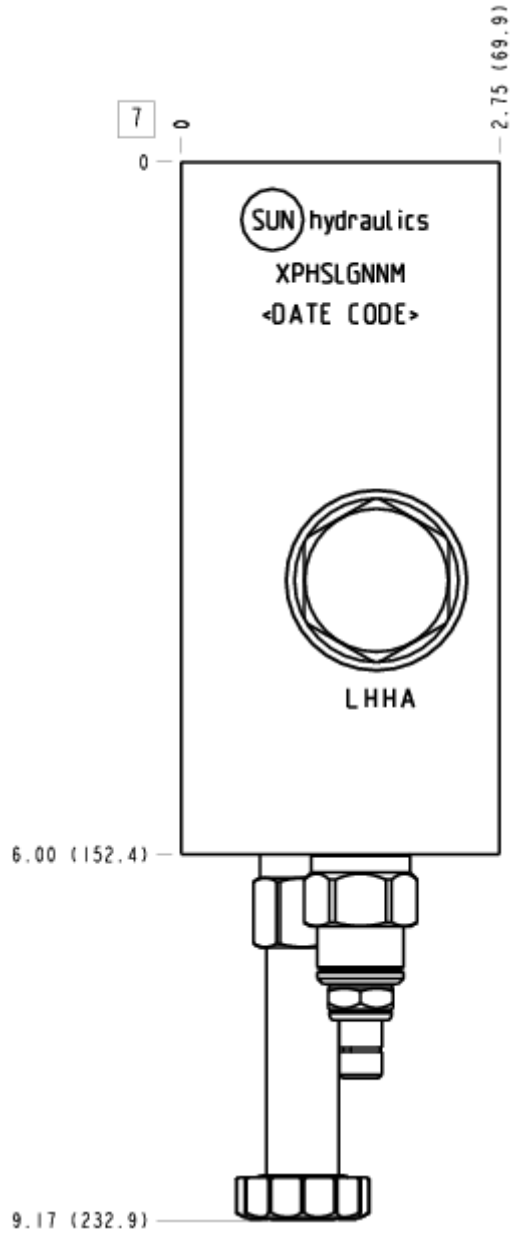
FACE 5



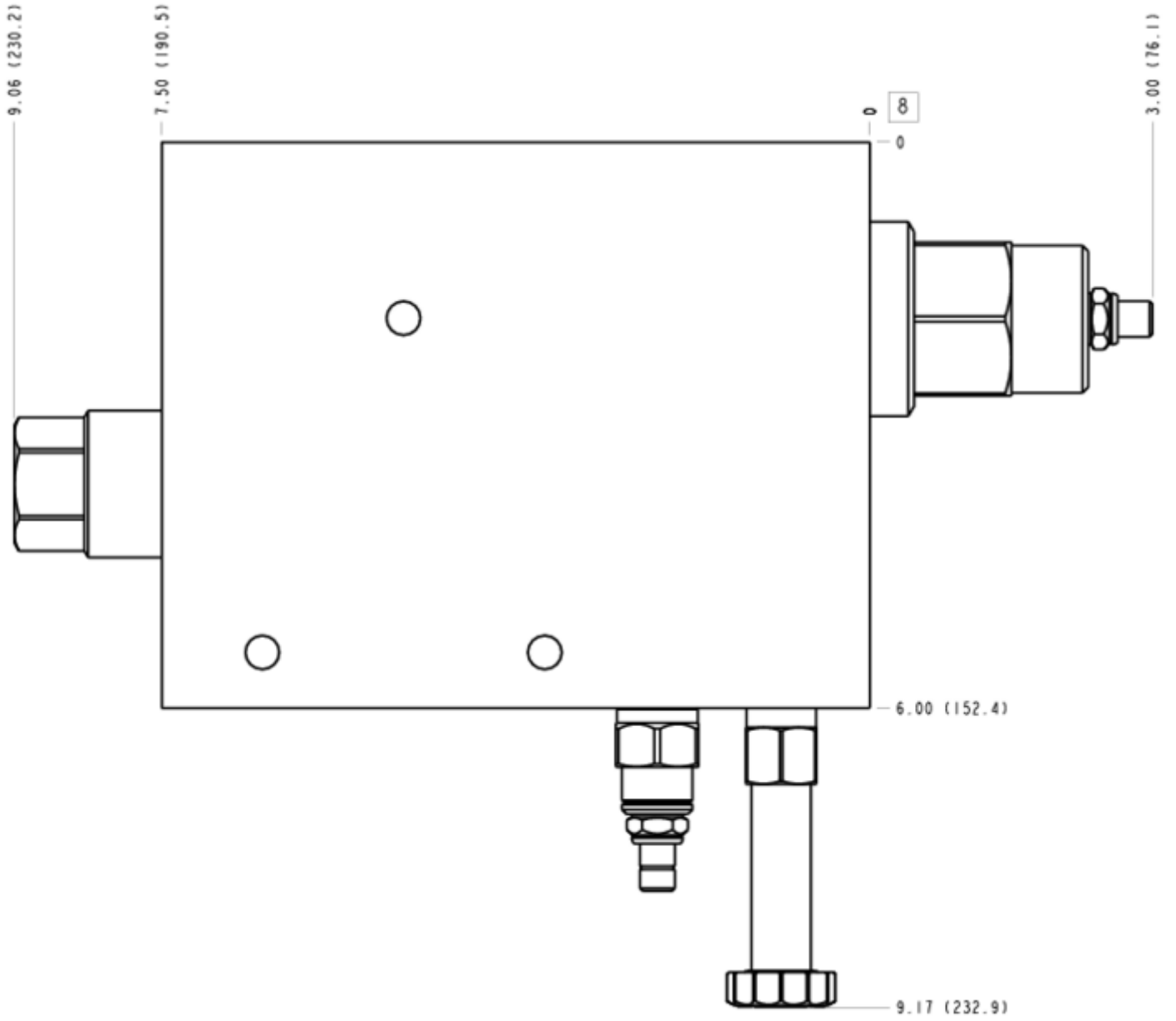
FACE 6



FACE 7



FACE 8



FACE 10

